
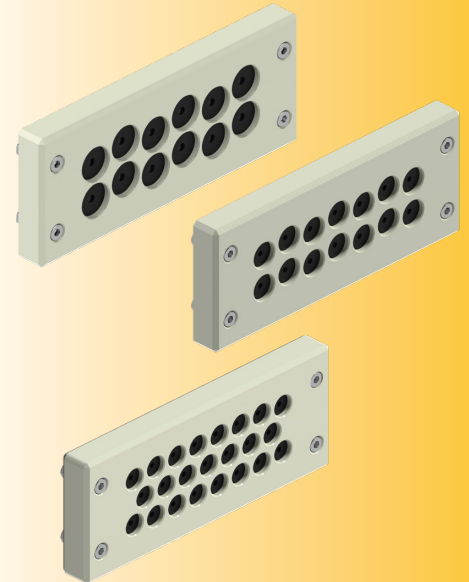


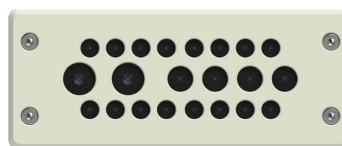
BRM

Product Information		
<ul style="list-style-type: none"> BRM type cable entry plates are designed for non-connectorised cables Can be used instead of standard cable glands where the space on the enclosure is limited Can be used as an economical solution where high strain relief is not required Ultra-flexible entrance membrane ensures ingress protection for a large range of cable diameters (i.e. from 5,0 to 13,0 mm) Improved strain relief with special back sealing plate close fit design With the reusable feature and special back sealing design ensures "close fit" even if a cable is removed. Can be used with all kind of enclosures having different wall thickness values with the help of four fixation screws. Snap-in assembly is possible with the help of two fixing legs for the enclosures having a wall thickness of 1,5 mm to 2,0 mm. 		
Technical Details		
Material	Frames	PA Glass Fibre Reinforced
	Ingress Protection Membrane	BUTYL (IIR) RUBBER
	Spacer	Chloroprene
	Obstruction Membrane	Polyurethane
	Frame Seal	Silicone or Polyurethane
Ingress Protection Level		IP65, Type 12, Type 13 Type 4X*
Fire Class (UL) Flammability		HB Acc. to UL94
Operating Temperature		-40 °C to +80 °C
Variants and Clamping Ranges		<ul style="list-style-type: none"> Blind 12 Ways for Ø4,0mm - Ø13,0 mm cables 14 Ways for Ø5,0mm - Ø11,0 mm cables 22 Ways for 16 x Ø3,0mm - Ø6,5 mm cables 4 x Ø5,0mm - Ø9,2 mm cables 2 x Ø8,0mm - Ø12,5 mm cables 23 Ways for Ø4,0mm - Ø8,5 mm cables 29 Ways for Ø4,0mm - Ø7,0 mm cables
Enclosure Cut Out		112x36 mm
Accessories		M4x0,7x20 mm Fitted with M3 Allen Head
Overall Dimensions		148x60x13,5 mm
Remarks		*covers all diameters larger than 5.0 mm up to specified maximum diameter
Approvals		
Certification Body	Certificate Number	Standard
 TYPE 4x	E467237	UL 508A CSA C22.2 NO. 14 -18
		UL 50E

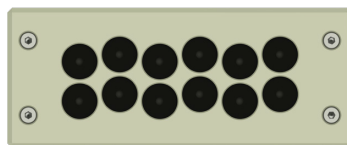
BRM



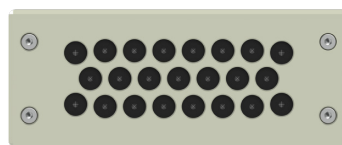
Blind



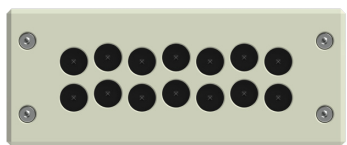
22 Cable Entries



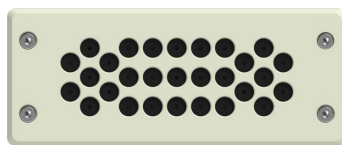
12 Cable Entries



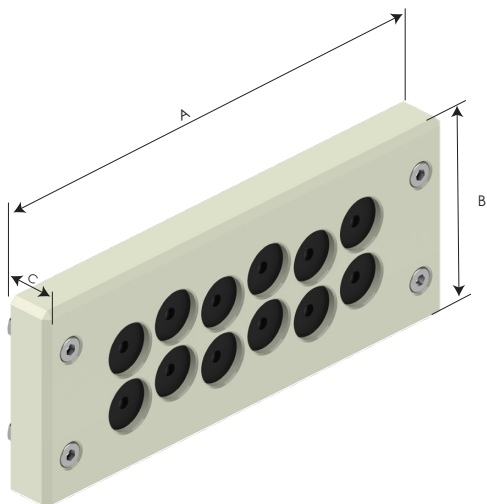
23 Cable Entries



14 Cable Entries

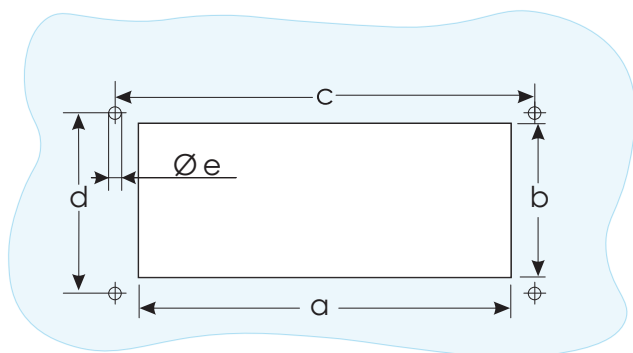


29 Cable Entries



OVERALL DIMENSIONS

Plate Type	No. Of Cable Entries	Clamping Range Ø mm	Frame			Part Number	
			Width A	Height B	Depth C	RAL 7035 light grey	RAL 9005 black
BRM00	0	-	148,0	60,0	13,5	BRM00-1	BRM00-2
BRM12	12	4,0 - 13,0				BRM12-1	BRM12-2
BRM14	14	5,0 - 11,0				BRM14-1	BRM14-2
BRM22	22 (16+4+2)	16 x 3,0 - 6,5				BRM22-1	BRM22-2
		4 x 5,0 - 9,2					
		2 x 8,0 - 12,5					
BRM23	23	4,0 - 8,5				BRM23-1	BRM23-2
BRM29	29	4,0 - 7,0				BRM29-1	BRM29-2



CUT-OUT DIMENSIONS

Plate Type	a mm	b mm	c mm	d mm	e mm
BRM00	112,0	36,0	130,0	32,0	5,0
BRM12					
BRM14					
BRM22					
BRM23					
BRM29					