



**ES Connector**



DEGSON website

LINKEDIN



**Energy storage solution**

ES 23-E01



DEGSON ELECTRICAL CO., LTD

Add : No.1585.Xiaolin Road.Cixi.Ningbo China

P.C. : 315321

www.degson.com

The catalog is for reference purpose only and details are base on company's specifications

Tel : +86-574-63510770

E-mail : sale@degson.com



## BRIEF INTRODUCTION

**01** Founded in 1990, DEGSON is a global solution provider of electrical, electronic and industrial connectors. As a National High-tech enterprise, DEGSON owns the UL and VDE certified laboratory. The company achieved ISO9001, ISO14001, ISO80079-34,ISO/TS22163 and IATF16949 management system certifications.

**03** DEGSON products are widely recognized in China, the USA, Germany, the UK, Italy, Spain, Turkey, Japan, South Korea, Singapore, etc. totally hundred countries and regions. DEGSON supply high quality products and provide professional services globally in the industry sectors likely industrial automation, instrument, electric power, railway, marine and offshore, new energy, elevator, lighting, security, machinery, etc. The company won the recognition from partners among Fortune 500 and industry leading enterprises.

**02** DEGSON is engaged in supplying highly reliable and durable products to serve global customers. The company has a market-leading capability of mould processing, automatic manufacturing and advanced testing. DEGSON has the complete engineering ability to support global customers with the professional customization solution and value-added service.

**04** Based on the business philosophy of “pragmatic innovation, responsibility, integrity, harmonious development, regulation and win-win”, DEGSON continuously integrates professional technical resources, R&D innovation, product manufacturing and technology application capabilities. Relying on global sales network, DEGSON aims to supply series of multiple varieties of high-quality products and services. We provide global customers with professional and quick connected application solutions, help customers continue to create value. DEGSON is making contributions to creating a smart and interconnected world.



# CONTENTS

Highly protected energy storage connector.....	1-12
Plug, socket and panel dimension.....	13
Successful applications.....	14
Barrier terminal blocks - Feed Through series.....	15-19
ES-K-350 energy storage battery system connector... ..	20
High current barrier terminal blocks.....	21-22
Successful applications.....	23
Signal-type connect-compact connector... ..	24
High power type energy storage connector.....	25-27
Successful applications.....	28



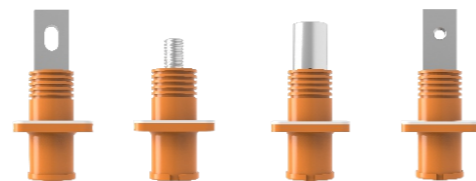
Degson has launched 50A~350A high protective Energy storage connectors for modular ES battery. The connectors comply with the standard UL4128 and offer safer, faster and more reliable connection for ES industry

**The features of ES connector: Degson's exclusive patents**

- Endure 1500V DC voltage.
- IP67 protection.
- Special design with color-coded and mechanical coded for + and - polarity avoiding misplug and short circuit .
- The socket is with hand-proof protection.
- The plug can rotate 360° after assembled and fulfill different cabling requirement.
- The socket is with four connection types: Busbar, screw, crimp, copper screw.



color-coded and mechanical coded      hand-proof protection      360°rotation



Optional connection Methods:  
Busbar, screw, crimp, copper screw

**Market**

The markets and applications for the ES connectors include but are not limited to the following:



Solar and wind energy



Charging station



Data center



Large-scale electric vehicle

**ES-50A**

- 50A ES connector
- Rated voltage: 1000V
- Rated current: 50A
- 1 Pole
- Cross section of wire: 6mm<sup>2</sup>



**Technical parameters**



Number of position	1	Material of O-ring	Silicon
Insertion force	55N MAX	Insertion/withdrawal cycles	100
Withdrawal force	>10N	External cable diameter	4.9-6.0mm
Rated voltage	1000V	Cross section of wire	10AWG(6mm <sup>2</sup> )
Rated current	50A	Stripping length of wire	7-8mm
Contact resistance	<0.5mΩ	Connection method	Crimp
Degree of pollution	3	Degree of protection	IP67
Insulation resistance	>5000MΩ	Ambient temperature (operation)	-40°C+125°C
Color	Orange/Black/Red	Ambient temperature (storage/transport)	-40°C+80°C
Material of contact	Copper alloy	Halogen-free	Yes
Material of housing	PA	Flammability rating according to UL 94	V0
Material of seal	Silicon	Altitude	2000m
<b>Socket type: ESS-50A</b>			
Connection method	Busbar, Crimp, Screw, Copper screw	Layout torque	M4/0.4-0.7N.m

**Ordering information**

Product series	Type	Rated current	Cross section of wire	Connection method	Color	Keyway	Product description					
ES	P 90° Right-angle plug	50A	06	6mm <sup>2</sup>	BK	Black	00	Standard	ESP-50A-06-BK-00			
					OR	Orange			ESP-50A-06-OR-00			
					RD	Red			ESP-50A-06-RD-00			
	S	Socket	50A	06	6mm <sup>2</sup>	BK	Black	00	Standard	ESS-50A-06-B-BK-00		
						OR	Orange			ESS-50A-06-B-OR-00		
						RD	Red			ESS-50A-06-B-RD-00		
		Screw				BK	Black	00	Standard	ESS-50A-06-S-BK-00		
						OR	Orange			ESS-50A-06-S-OR-00		
						RD	Red			ESS-50A-06-S-RD-00		
	C	Crimp	50A	06	6mm <sup>2</sup>	BK	Black	00	Standard	ESS-50A-06-C-BK-00		
						OR	Orange			ESS-50A-06-C-OR-00		
						RD	Red			ESS-50A-06-C-RD-00		
B/S	Copper screw	50A				06	6mm <sup>2</sup>	BK	Black	00	Standard	ESS-50A-06-B/S-BK-00
								OR	Orange			ESS-50A-06-B/S-OR-00
								RD	Red			ESS-50A-06-B/S-RD-00



## ES-70A

- 70A ES connector
- Rated voltage: 1000V
- Rated current: 70A
- 1 Pole
- Cross section of wire: 10mm<sup>2</sup>



### Technical parameters



Plug type: ESP-70A			
Number of position	1	Material of O-ring	Silicon
Insertion force	55N MAX	Insertion/withdrawal cycles	100
Withdrawal force	>10N	External cable diameter	6.5-7.5mm
Rated voltage	1000V	Cross section of wire	8AWG(10mm <sup>2</sup> )
Rated current	70A	Stripping length of wire	7-8mm
Contact resistance	<0.5mΩ	Connection method	Crimp
Degree of pollution	3	Degree of protection	IP67
Insulation resistance	> 5000MΩ	Ambient temperature (operation)	-40°C+125°C
Color	Orange/Black/Red	Ambient temperature (storage/transport)	-40°C+80°C
Material of contact	Copper alloy	Halogen-free	Yes
Material of housing	PA	Flammability rating according to UL 94	V0
Material of seal	Silicon	Altitude	2000m
Socket type: ESS-70A			
Connection method	Busbar,Crimp,Screw,Copper screw	Layout torque	M4/0.4-0.7N.m

### Ordering information

Product series	Type		Rated current	Cross section of wire		Connection method		Color		Keyway	Product description						
ES	P	90° Right-angle plug	70A	10	10mm <sup>2</sup>			BK	Black	00	Standard	ESP-70A-10-BK-00					
								OR	Orange			ESP-70A-10-OR-00					
								RD	Red			ESP-70A-10-RD-00					
	S	Socket	70A	10	10mm <sup>2</sup>	B	Busbar	BK	Black	00	Standard	ESS-70A-10-B-BK-00					
								OR	Orange			ESS-70A-10-B-OR-00					
								RD	Red			ESS-70A-10-B-RD-00					
						S	Screw	70A	10	10mm <sup>2</sup>			BK	Black	00	Standard	ESS-70A-10-S-BK-00
													OR	Orange			ESS-70A-10-S-OR-00
													RD	Red			ESS-70A-10-S-RD-00
						C	Crimp	70A	10	10mm <sup>2</sup>			BK	Black	00	Standard	ESS-70A-10-C-BK-00
													OR	Orange			ESS-70A-10-C-OR-00
													RD	Red			ESS-70A-10-C-RD-00
B/S	Copper screw	70A	10	10mm <sup>2</sup>			BK	Black	00	Standard	ESS-70A-10-B/S-BK-00						
							OR	Orange			ESS-70A-10-B/S-OR-00						
							RD	Red			ESS-70A-10-B/S-RD-00						

## ES-100A

- 100A ES connector
- Rated voltage: 1500V
- Rated current: 100A
- 1 Pole
- Cross section of wire: 16mm<sup>2</sup>



### Technical parameters



Plug type: ESP-100A			
Number of position	1	Material of O-ring	Silicon
Insertion force	60N MAX	Insertion/withdrawal cycles	100
Withdrawal force	>10N	External cable diameter	7.5-9mm
Rated voltage	1500V	Cross section of wire	6AWG(16mm <sup>2</sup> )
Rated current	100A	Stripping length of wire	13-14mm
Contact resistance	<0.5mΩ	Connection method	Crimp
Degree of pollution	3	Degree of protection	IP67
Insulation resistance	> 5000MΩ	Ambient temperature (operation)	-40°C+125°C
Color	Orange/Black/Red	Ambient temperature (storage/transport)	-40°C+80°C
Material of contact	Copper alloy	Halogen-free	Yes
Material of housing	PA	Flammability rating according to UL 94	V0
Material of seal	Silicon	Altitude	2000m
Socket type: ESS-100A			
Connection method	Busbar,Crimp,Screw,Copper screw	Layout torque	M4/0.4-0.7N.m

### Ordering information

Product series	Type		Rated current	Cross section of wire		Connection method		Color		Keyway	Product description						
ES	P	90° Right-angle plug	100A	16	16mm <sup>2</sup>			BK	Black	00	Standard	ESP-100A-16-BK-00					
								OR	Orange			ESP-100A-16-OR-00					
								RD	Red			ESP-100A-16-RD-00					
	S	Socket	100A	16	16mm <sup>2</sup>	B	Busbar	BK	Black	00	Standard	ESS-100A-16-B-BK-00					
								OR	Orange			ESS-100A-16-B-OR-00					
								RD	Red			ESS-100A-16-B-RD-00					
						S	Screw	100A	16	16mm <sup>2</sup>			BK	Black	00	Standard	ESS-100A-16-S-BK-00
													OR	Orange			ESS-100A-16-S-OR-00
													RD	Red			ESS-100A-16-S-RD-00
						C	Crimp	100A	16	16mm <sup>2</sup>			BK	Black	00	Standard	ESS-100A-16-C-BK-00
													OR	Orange			ESS-100A-16-C-OR-00
													RD	Red			ESS-100A-16-C-RD-00
B/S	Copper screw	100A	16	16mm <sup>2</sup>			BK	Black	00	Standard	ESS-100A-16-B/S-BK-00						
							OR	Orange			ESS-100A-16-B/S-OR-00						
							RD	Red			ESS-100A-16-B/S-RD-00						



## ES-120A

- 120A ES connector
- Rated voltage: 1500V
- Rated current: 120A
- 1 Pole
- Cross section of wire: 25mm<sup>2</sup>



### Technical parameters



Plug type: ESP-120A			
Number of position	1	Material of O-ring	Silicon
Insertion force	60N MAX	Insertion/withdrawal cycles	100
Withdrawal force	>10N	External cable diameter	9-10.5mm
Rated voltage	1500V	Cross section of wire	4AWG(25mm <sup>2</sup> )
Rated current	120A	Stripping length of wire	13-14mm
Contact resistance	<0.5mΩ	Connection method	Crimp
Degree of pollution	3	Degree of protection	IP67
Insulation resistance	> 5000MΩ	Ambient temperature (operation)	-40°C+125°C
Color	Orange/Black/Red	Ambient temperature (storage/transport)	-40°C+80°C
Material of contact	Copper alloy	Halogen-free	Yes
Material of housing	PA	Flammability rating according to UL 94	V0
Material of seal	Silicon	Altitude	2000m
Socket type: ESS-120A			
Connection method	Busbar,Crimp,Screw,Copper screw	Layout torque	M4/0.4-0.7N.m

### Ordering information

Product series	Type		Rated current	Cross section of wire		Connection method		Color		Keyway		Product description
ES	P	90° Right-angle plug	120A	25	25mm <sup>2</sup>			BK	Black	00	Standard	ESP-120A-25-BK-00
								OR	Orange			ESP-120A-25-OR-00
								RD	Red			ESP-120A-25-RD-00
	S	Socket	120A	25	25mm <sup>2</sup>	B	Busbar	BK	Black	00	Standard	ESS-120A-25-B-BK-00
								OR	Orange			ESS-120A-25-B-OR-00
								RD	Red			ESS-120A-25-B-RD-00
						S	Screw	BK	Black	00	Standard	ESS-120A-25-S-BK-00
								OR	Orange			ESS-120A-25-S-OR-00
								RD	Red			ESS-120A-25-S-RD-00
						C	Crimp	BK	Black	00	Standard	ESS-120A-25-C-BK-00
								OR	Orange			ESS-120A-25-C-OR-00
								RD	Red			ESS-120A-25-C-RD-00
B/S	Copper screw	BK	Black	00	Standard	ESS-120A-25-B/S-BK-00						
		OR	Orange			ESS-120A-25-B/S-OR-00						
		RD	Red			ESS-120A-25-B/S-RD-00						

## ES-150A

- 150A ES connector
- Rated voltage: 1500V
- Rated current: 150A
- 1 Pole
- Cross section of wire: 35mm<sup>2</sup>



### Technical parameters



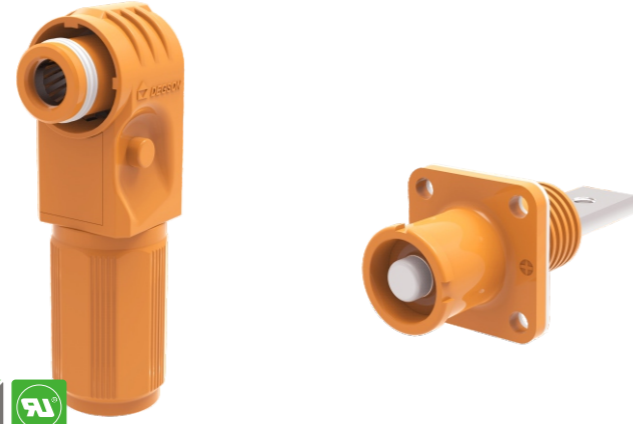
Plug type: ESP-150A			
Number of position	1	Material of O-ring	Silicon
Insertion force	100N MAX	Insertion/withdrawal cycles	100
Withdrawal force	>10N	External cable diameter	11-12.5mm
Rated voltage	1500V	Cross section of wire	2AWG(35mm <sup>2</sup> )
Rated current	150A	Stripping length of wire	13-14mm
Contact resistance	<0.5mΩ	Connection method	Crimp
Degree of pollution	3	Degree of protection	IP67
Insulation resistance	> 5000MΩ	Ambient temperature (operation)	-40°C+125°C
Color	Orange/Black/Red	Ambient temperature (storage/transport)	-40°C+80°C
Material of contact	Copper alloy	Halogen-free	Yes
Material of housing	PA	Flammability rating according to UL 94	V0
Material of seal	Silicon	Altitude	2000m
Socket type: ESS-150A			
Connection method	Busbar,Crimp,Screw,Copper screw	Layout torque	M4/0.4-0.7N.m

### Ordering information

Product series	Type		Rated current	Cross section of wire		Connection method		Color		Keyway		Product description		
ES	P	90° Right-angle plug	150A	35	35mm <sup>2</sup>			BK	Black	18	180°	ESP-150A-35-BK-18		
								OR	Orange			90	90°	ESP-150A-35-OR-90
								RD	Red			90	90°	ESP-150A-35-RD-90
	S	Socket	150A	35	35mm <sup>2</sup>	B	Busbar	BK	Black	18	180°	ESS-150A-35-B-BK-18		
								OR	Orange			90	90°	ESS-150A-35-B-OR-90
								RD	Red			90	90°	ESS-150A-35-B-RD-90
						S	Screw	BK	Black	18	180°	ESS-150A-35-S-BK-18		
								OR	Orange			90	90°	ESS-150A-35-S-OR-90
								RD	Red			90	90°	ESS-150A-35-S-RD-90
						C	Crimp	BK	Black	18	180°	ESS-150A-35-C-BK-18		
								OR	Orange			90	90°	ESS-150A-35-C-OR-90
								RD	Red			90	90°	ESS-150A-35-C-RD-90
B/S	Copper screw	BK	Black	18	180°	ESS-150A-35-B/S-BK-18								
		OR	Orange			90	90°	ESS-150A-35-B/S-OR-90						
		RD	Red			90	90°	ESS-150A-35-B/S-RD-90						

## ES-200A

- 200A ES connector
- Rated voltage: 1500V
- Rated current: 200A
- 1 Pole
- Cross section of wire: 50mm<sup>2</sup>



### Technical parameters



Plug type: ESP-200A			
Number of position	1	Material of O-ring	Silicon
Insertion force	100N MAX	Insertion/withdrawal cycles	100
Withdrawal force	>10N	External cable diameter	12.5-14mm
Rated voltage	1500V	Cross section of wire	1/0AWG(50mm <sup>2</sup> )
Rated current	200A	Stripping length of wire	13-14mm
Contact resistance	<0.5mΩ	Connection method	Crimp
Degree of pollution	3	Degree of protection	IP67
Insulation resistance	> 5000MΩ	Ambient temperature (operation)	-40°C+125°C
Color	Orange/Black/Red	Ambient temperature (storage/transport)	-40°C+80°C
Material of contact	Copper alloy	Halogen-free	Yes
Material of housing	PA	Flammability rating according to UL 94	V0
Material of seal	Silicon	Altitude	2000m
Socket type: ESS-200A			
Connection method	Busbar,Crimp,Screw,Copper screw	Layout torque	M4/0.4-0.7N.m

### Ordering information

Product series	Type		Rated current	Cross section of wire		Connection method		Color		Keyway		Product description
ES	P	90° Right-angle plug	200A	50	50mm <sup>2</sup>			BK	Black	18	180°	ESP-200A-50-BK-18
								OR	Orange	90	90°	ESP-200A-50-OR-90
								RD	Red	90	90°	ESP-200A-50-RD-90
	S	Socket	200A	50	50mm <sup>2</sup>	B	Busbar	BK	Black	18	180°	ESS-200A-50-B-BK-18
								OR	Orange	90	90°	ESS-200A-50-B-OR-90
								RD	Red	90	90°	ESS-200A-50-B-RD-90
						S	Screw	BK	Black	18	180°	ESS-200A-50-S-BK-18
								OR	Orange	90	90°	ESS-200A-50-S-OR-90
								RD	Red	90	90°	ESS-200A-50-S-RD-90
						C	Crimp	BK	Black	18	180°	ESS-200A-50-C-BK-18
								OR	Orange	90	90°	ESS-200A-50-C-OR-90
								RD	Red	90	90°	ESS-200A-50-C-RD-90
B/S	Copper screw	BK	Black	18	180°	ESS-200A-50-B/S-BK-18						
		OR	Orange	90	90°	ESS-200A-50-B/S-OR-90						
		RD	Red	90	90°	ESS-200A-50-B/S-RD-90						

## ESS-200A-A

- 200A ES connector
- Rated voltage: 1500V
- Rated current: 200A
- 1 Pole
- Cross section of wire: 50mm<sup>2</sup>



### Technical parameters



Plug type: ESP-200A			
Number of position	1	Material of O-ring	Silicon
Insertion force	100N MAX	Insertion/withdrawal cycles	100
Withdrawal force	>10N	External cable diameter	12.5-14mm
Rated voltage	1500V	Cross section of wire	1/0AWG(50mm <sup>2</sup> )
Rated current	200A	Stripping length of wire	13-14mm
Contact resistance	<0.5mΩ	Connection method	Crimp
Degree of pollution	3	Degree of protection	IP67
Insulation resistance	> 5000MΩ	Ambient temperature (operation)	-40°C+125°C
Color	Orange/Black/Red	Ambient temperature (storage/transport)	-40°C+80°C
Material of contact	Copper alloy	Halogen-free	Yes
Material of housing	PA	Flammability rating according to UL 94	V0
Material of seal	Silicon	Altitude	2000m
Socket type: ESS-200A-A			
Connection method	Busbar,Crimp,Screw,Copper screw	Layout torque	M4/0.4-0.7N.m

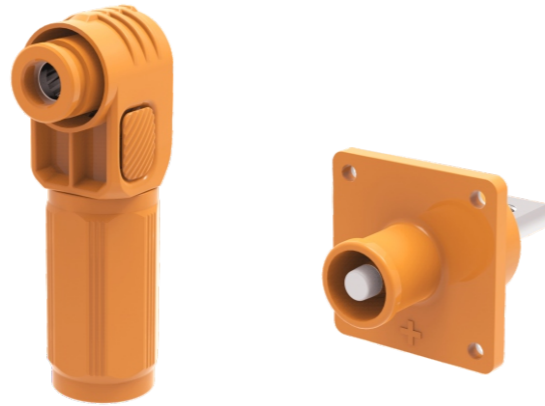
### Ordering information

Product series	Type		Rated current	Cross section of wire		Connection method		Color		Keyway		Product description
ES	P	90° Right-angle plug	200A	50	50mm <sup>2</sup>			BK	Black	18	180°	ESP-200A-50-BK-18
								OR	Orange	90	90°	ESP-200A-50-OR-90
								RD	Red	90	90°	ESP-200A-50-RD-90
	S	Socket	200A	50	50mm <sup>2</sup>	B	铜排	BK	Black	16	180°	ESS-200A-50-B-BK-16
								OR	Orange	20	90°	ESS-200A-50-B-OR-20
								RD	Red	20	90°	ESS-200A-50-B-RD-20
						S	Screw	BK	Black	16	180°	ESS-200A-50-S-BK-16
								OR	Orange	20	90°	ESS-200A-50-S-OR-20
								RD	Red	20	90°	ESS-200A-50-S-RD-20
						C	Crimp	BK	Black	16	180°	ESS-200A-50-C-BK-16
								OR	Orange	20	90°	ESS-200A-50-C-OR-20
								RD	Red	20	90°	ESS-200A-50-C-RD-20
B/S	铜排/螺纹孔	BK	Black	16	180°	ESS-200A-50-B/S-BK-16						
		OR	Orange	20	90°	ESS-200A-50-B/S-OR-20						
		RD	Red	20	90°	ESS-200A-50-B/S-RD-20						



## ES-250A

- 250A ES connector
- Rated voltage: 1500V
- Rated current: 250A
- 1 Pole
- Cross section of wire: 70mm<sup>2</sup>



### Technical parameters



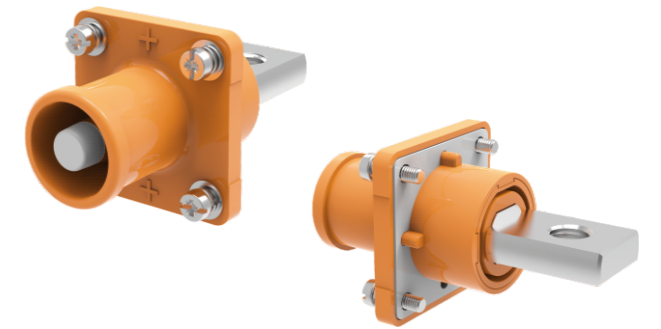
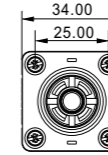
Plug type: ESP-250A			
Number of position	1	Material of O-ring	Silicon
Insertion force	100N MAX	Insertion/withdrawal cycles	100
Withdrawal force	>10N	External cable diameter	15.5-17mm
Rated voltage	1500V	Cross section of wire	2/0AWG(70mm <sup>2</sup> )
Rated current	250A	Stripping length of wire	19-21mm
Contact resistance	<0.5mΩ	Connection method	Crimp
Degree of pollution	3	Degree of protection	IP67
Insulation resistance	> 5000MΩ	Ambient temperature (operation)	-40°C+125°C
Color	Orange/Black/Red	Ambient temperature (storage/transport)	-40°C+80°C
Material of contact	Copper alloy	Halogen-free	Yes
Material of housing	PA	Flammability rating according to UL 94	V0
Material of seal	Silicon	Altitude	2000m
Socket type: ESS-250A			
Connection method	Busbar,Crimp,Screw,Copper screw	Layout torque	M4/0.4-0.7N.m

### Ordering information

Product series	Type		Rated current	Cross section of wire		Connection method		Color		Keyway	Product description	
ES	P	90° Right-angle plug	250A	70	70mm <sup>2</sup>			BK	Black	00	Standard	ESP-250A-70-BK-00
								OR	Orange			ESP-250A-70-OR-00
								RD	Red			ESP-250A-70-RD-00
	S	Socket	250A	70	70mm <sup>2</sup>	B	Busbar	BK	Black	00	Standard	ESS-250A-70-B-BK-00
								OR	Orange			ESS-250A-70-B-OR-00
								RD	Red			ESS-250A-70-B-RD-00
						S	Screw	BK	Black	00	Standard	ESS-250A-70-S-BK-00
								OR	Orange			ESS-250A-70-S-OR-00
								RD	Red			ESS-250A-70-S-RD-00
						C	Crimp	BK	Black	00	Standard	ESS-250A-70-C-BK-00
								OR	Orange			ESS-250A-70-C-OR-00
								RD	Red			ESS-250A-70-C-RD-00
B/S	Copper screw	BK	Black	00	Standard	ESS-250A-70-B/S-BK-00						
		OR	Orange			ESS-250A-70-B/S-OR-00						
		RD	Red			ESS-250A-70-B/S-RD-00						

## ESS-250A-Small size socket panel

- 250A ESS connector
- Rated voltage: 1500V
- Rated current: 250A
- 1 Pole
- Cross section of wire: 70mm<sup>2</sup>



### Technical parameters



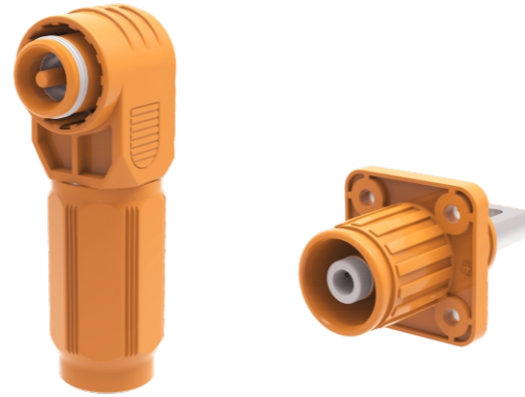
Plug type: ESP-250A			
Number of position	1	Material of O-ring	Silicon
Insertion force	100N MAX	Insertion/withdrawal cycles	100
Withdrawal force	>10N	External cable diameter	15.5-17mm
Rated voltage	1500V	Cross section of wire	2/0AWG(70mm <sup>2</sup> )
Rated current	250A	Stripping length of wire	19-21mm
Contact resistance	<0.5mΩ	Connection method	Crimp
Degree of pollution	3	Degree of protection	IP67
Insulation resistance	> 5000MΩ	Ambient temperature (operation)	-40°C+125°C
Color	Orange/Black/Red	Ambient temperature (storage/transport)	-40°C+80°C
Material of contact	Copper alloy	Halogen-free	Yes
Material of housing	PA	Flammability rating according to UL 94	V0
Material of seal	Silicon	Altitude	2000m
Socket type: ESS-250A			
Connection method	Busbar,Crimp,Screw,Copper screw	Layout torque	M4/0.4-0.7N.m

### Ordering information

Product series	Type		Rated current	Cross section of wire		Connection method		Color		Keyway	Product description	
ES	P	90° Right-angle plug	250A	70	70mm <sup>2</sup>			BK	Black	00	Standard	ESP-250A-70-BK-00
								OR	Orange			ESP-250A-70-OR-00
								RD	Red			ESP-250A-70-RD-00
	S	Socket	250A	70	70mm <sup>2</sup>	B	Busbar	BK	Black	00	Standard	ESS-250A-70-B-BK-02
								OR	Orange			ESS-250A-70-B-OR-03
								RD	Red			ESS-250A-70-B-RD-03
						S	Screw	BK	Black	00	Standard	ESS-250A-70-S-BK-02
								OR	Orange			ESS-250A-70-S-OR-03
								RD	Red			ESS-250A-70-S-RD-03
						C	Crimp	BK	Black	00	Standard	ESS-250A-70-C-BK-02
								OR	Orange			ESS-250A-70-C-OR-03
								RD	Red			ESS-250A-70-C-RD-03
B/S	Copper screw	BK	Black	00	Standard	ESS-250A-70-B/S-BK-02						
		OR	Orange			ESS-250A-70-B/S-OR-03						
		RD	Red			ESS-250A-70-B/S-RD-03						

## ES-300A

- 300A ES connector
- Rated voltage: 1500V
- Rated current: 300A
- 1 Pole
- Cross section of wire: 95mm<sup>2</sup>



### Technical parameters



Plug type: ESP-300A			
Number of position	1	Material of O-ring	Silicon
Insertion force	100N MAX	Insertion/withdrawal cycles	100
Withdrawal force	>10N	External cable diameter	18.0-19.0mm
Rated voltage	1500V	Cross section of wire	3/0AWG(95mm <sup>2</sup> )
Rated current	300A	Stripping length of wire	16-18mm
Contact resistance	<0.5mΩ	Connection method	Crimp
Degree of pollution	3	Degree of protection	IP67
Insulation resistance	>5000MΩ	Ambient temperature (operation)	-40°C+125°C
Color	Orange/Black/Red	Ambient temperature (storage/transport)	-40°C+80°C
Material of contact	Copper alloy	Halogen-free	Yes
Material of housing	PA	Flammability rating according to UL 94	V0
Material of seal	Silicon	Altitude	2000m
Socket type: ESS-300A			
Connection method	Busbar,Crimp,Screw,Copper screw	Layout torque	M4/0.4-0.7N.m

### Ordering information

Product series	Type		Rated current	Cross section of wire		Connection method		Color		Keyway	Product description			
ES	P	90° Right-angle plug	300A	95	95mm <sup>2</sup>			BK	Black	00	Standard	ESP-300A-95-BK-00		
								OR	Orange			ESP-300A-95-OR-00		
								RD	Red			ESP-300A-95-RD-00		
	S	Socket	300A	95	95mm <sup>2</sup>	B	Busbar	BK	Black	00	Standard	ESS-300A-95-B-BK-00		
								OR	Orange			ESS-300A-95-B-OR-00		
								RD	Red			ESS-300A-95-B-RD-00		
						S	Screw	00	Standard	BK	Black	00	Standard	ESS-300A-95-S-BK-00
										OR	Orange			ESS-300A-95-S-OR-00
										RD	Red			ESS-300A-95-S-RD-00
						C	Crimp	00	Standard	BK	Black	00	Standard	ESS-300A-95-C-BK-00
										OR	Orange			ESS-300A-95-C-OR-00
										RD	Red			ESS-300A-95-C-RD-00
B/S	Copper screw	00	Standard	BK	Black	00	Standard	ESS-300A-95-B/S-BK-00						
				OR	Orange			ESS-300A-95-B/S-OR-00						
				RD	Red			ESS-300A-95-B/S-RD-00						

## ES-350A

- 350A ES connector
- Rated voltage: 1500V
- Rated current: 350A
- 1 Pole
- Cross section of wire: 120mm<sup>2</sup>



### Technical parameters



Plug type: ESP-350A			
Number of position	1	Material of O-ring	Silicon
Insertion force	100N MAX	Insertion/withdrawal cycles	100
Withdrawal force	>10N	External cable diameter	19.9-20.9mm
Rated voltage	1500V	Cross section of wire	4/0AWG(120mm <sup>2</sup> )
Rated current	350A	Stripping length of wire	16-18mm
Contact resistance	<0.5mΩ	Connection method	Crimp
Degree of pollution	3	Degree of protection	IP67
Insulation resistance	>5000MΩ	Ambient temperature (operation)	-40°C+125°C
Color	Orange/Black/Red	Ambient temperature (storage/transport)	-40°C+80°C
Material of contact	Copper alloy	Halogen-free	Yes
Material of housing	PA	Flammability rating according to UL 94	V0
Material of seal	Silicon	Altitude	2000m
Socket type: ESS-350A			
Connection method	Busbar,Crimp,Screw,Copper screw	Layout torque	M4/0.4-0.7N.m

### Ordering information

Product series	Type		Rated current	Cross section of wire		Connection method		Color		Keyway	Product description			
ES	P	90° Right-angle plug	350A	120	120mm <sup>2</sup>			BK	Black	00	Standard	ESP-350A-120-BK-00		
								OR	Orange			ESP-350A-120-OR-00		
								RD	Red			ESP-350A-120-RD-00		
	S	Socket	350A	120	120mm <sup>2</sup>	B	Busbar	BK	Black	00	Standard	ESS-350A-120-B-BK-00		
								OR	Orange			ESS-350A-120-B-OR-00		
								RD	Red			ESS-350A-120-B-RD-00		
						S	Screw	00	Standard	BK	Black	00	Standard	ESS-350A-120-S-BK-00
										OR	Orange			ESS-350A-120-S-OR-00
										RD	Red			ESS-350A-120-S-RD-00
						C	Crimp	00	Standard	BK	Black	00	Standard	ESS-350A-120-C-BK-00
										OR	Orange			ESS-350A-120-C-OR-00
										RD	Red			ESS-350A-120-C-RD-00
B/S	Copper screw	00	Standard	BK	Black	00	Standard	ESS-350A-120-B/S-BK-00						
				OR	Orange			ESS-350A-120-B/S-OR-00						
				RD	Red			ESS-350A-120-B/S-RD-00						



### Socket Dimensions

Item	Busbar connection		Crimp connection		Screw connection		Busbar Screw connection	
Size								
	A	B	A	B	A	B	A	B
50A/70A	16.2	41.1	16.2	37.2	16.2	36.4	16.2	41.1
100A/120A	19	53.7	19	53.5	19	45.5	19	53.7
150A/200A	22	68.1	22	61.8	22	55.1	22	68.1
250A	25.1	68.4	25.1	70.1	25.1	60.1	25.1	68.4
300A	30.3	70	25.3	70.2	25.3	60.8	25.3	70.2
350A	30.6	73.9	30.6	74.6	30.6	68.6	30.6	73.9

### Plug Dimensions

Item	Crimp connection			
Size				
	A	B	C	D
50A/70A	21.2	51	24.3	16
100A/120A	25	68.3	30.7	19
150A/200A	29.4	76.7	40.7	22
250A	33.8	87.2	38.7	23.5
300A	39	101	44	29
350A	44.4	106.4	48	33

### Layout Dimensions

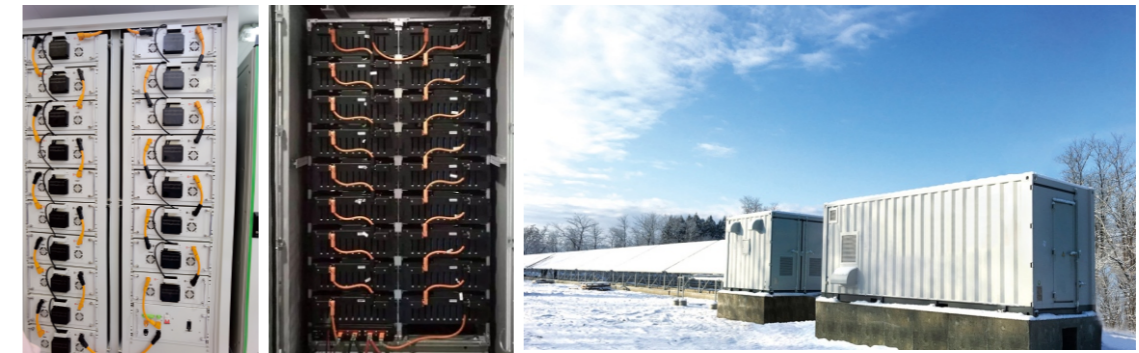
Current	A	ΦC	D	Layout Torque	Receptacle Contact Torque		Figure
					Busbar Torque	Screw Torque	
50A/70A	24±0.1	12.9±0.2	M4 Screw	0.4-0.7N.m	M4 Screw 1.2-1.5N.m	M4 Nut: 1.2N.m max	

### Layout Dimensions

Current	A	B	ΦC	D	面板安装扭矩	铜排锁螺丝扭矩	螺栓连接扭矩	图示
100A/120A	21±0.1	21±0.1	20.3±0.1	M4 Screw	M4 bolts: 0.4-0.7N.m	M5 bolts: 2N.m max	M6 Nut: 2N.m max	
150A/200A (Exclude ESS-200A-A)	21.8±0.1	21.8±0.1	18.6±0.1 20.0±0.1 (Screw)	M4 Screw	M4 bolts: 0.4-0.7N.m	M5 bolts: 2N.m max	M8 Nut: 6N.m max	
250A	36±0.1	36±0.1	32±0.1	M4 Screw	M4 bolts: 0.4-0.7N.m	M8 Nut: 6N.m max	M8 Nut: 6N.m max	
250A Small size	25±0.1	25±0.1	23.9±0.1	M3/M4 Screw	M3/M4 bolts: 0.4-0.7N.m	M8 bolts: 6N.m max	M8 Nut: 6N.m max	
300A	24.5±0.1	24.5±0.1	22.5+0.2/-0	M4 Screw	M4 bolts: 0.4-0.7N.m	M8 bolts: 6N.m max	M8 Nut: 6N.m max	
350A	36±0.1	36±0.1	32±0.1	M4 Screw	M4 bolts: 0.4-0.7N.m	M8 bolts: 6N.m max	M8 Nut: 6N.m max	

### Successful applications

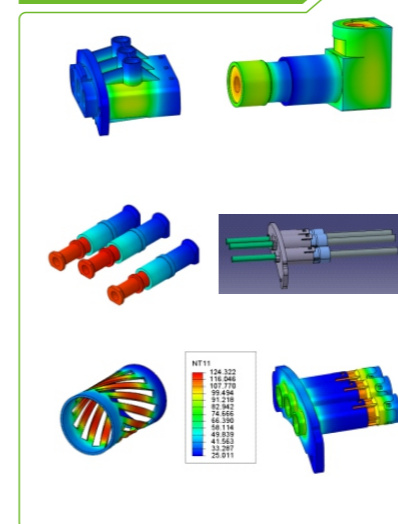
The high protective ES connectors have been approved and applied by a lot of customers after market launch. Currently 120A and 200A ES connectors were widely applied in solar station, international household energy storage and large-scale electric vehicles. We keep doing the best to offer safer, faster and more reliable connection for ES industry. Meanwhile, we are able to offer complete product solution for ES industry. The vision of Degson is to keep developing best products for ES industry.



### Strong customization strength

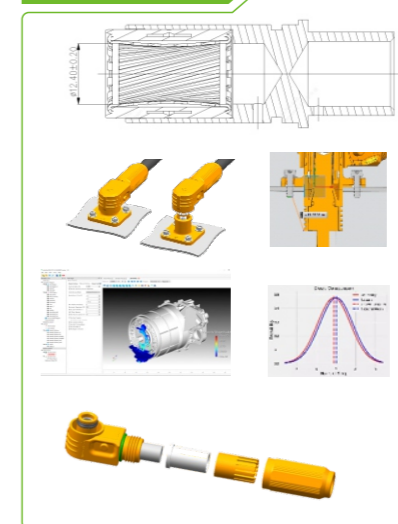
#### Mechanic Simulation, Development & Verification

##### Structure & Process Simulation



- Structural FEM / ANSYS LS-DYNA
- Thermal CFD / Autodesk/FloTHERM
- Molding / Stamping Analysis
  - ANSYS
  - Simufact
  - Moldflow

##### Product Development



- Computer Aided Design
- Statistical Analysis
- Monte Carlo Analysis
- Design of Experiments
- DFMEA/ PFMEA

##### Design Verification



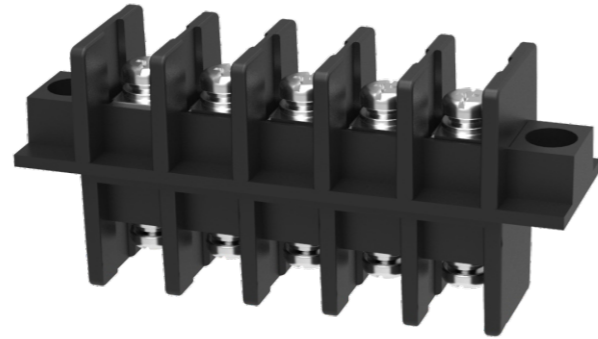
- Dimensional Measurements
- Environmental testing
- Material Characterization SEM/FIB
- CT-scanning

### Value added service



## Energy storage battery/Energy storage converter DG40-A

Rated Voltage: 600V  
Rated Current: 40A  
AWG: 22-8AWG

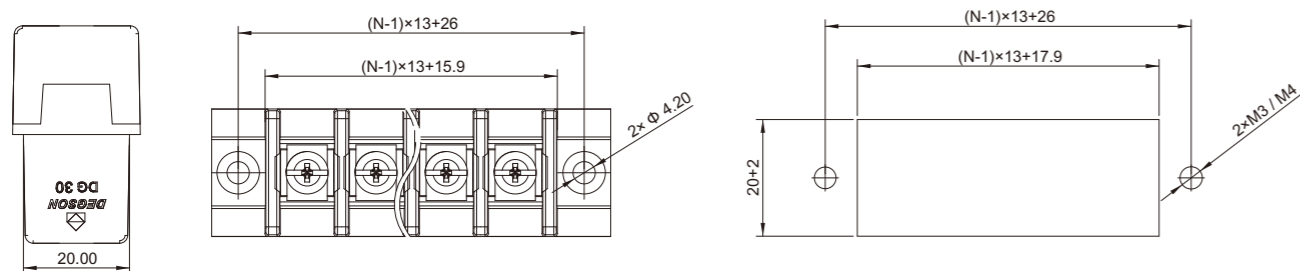


### Technical Data



Electrical Parameters				Size	
Reference Standard	UI1059			Pitch	13.0mm
Class	B	C	D	Poles	02P~10P
Rated Voltage	600V	600V	600V	<b>Material and Plated</b>	
Rated Current	40A	40A	5A	Cover	PC
Wire Range	22~8AWG			Housing	PA66+GF
OT/UT Terminals	22~8AWG			Pin Header	Copper alloy, Tin-plated
Voltage Withstanding	AC 2200/Min			Screw	Steel, Ni plated
Insulated Resistance	/			<b>Others</b>	
Mechanical Parameters				Color	Black
Torque Tightening	1.2 N.m			Type Of Installation	Panel
Ambient Temperature	-40~120°C			Connection Method	Screw connection
Stripping Length	10~11mm			Environment Items	Compliant with REACH/RoHS

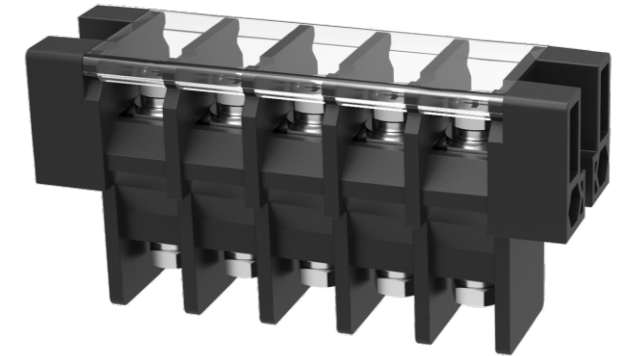
### Installation Information



Panel Cutout

## Energy storage battery/Energy storage converter DG75-A

Rated Voltage: 600V  
Rated Current: 75A  
AWG: 22-4AWG

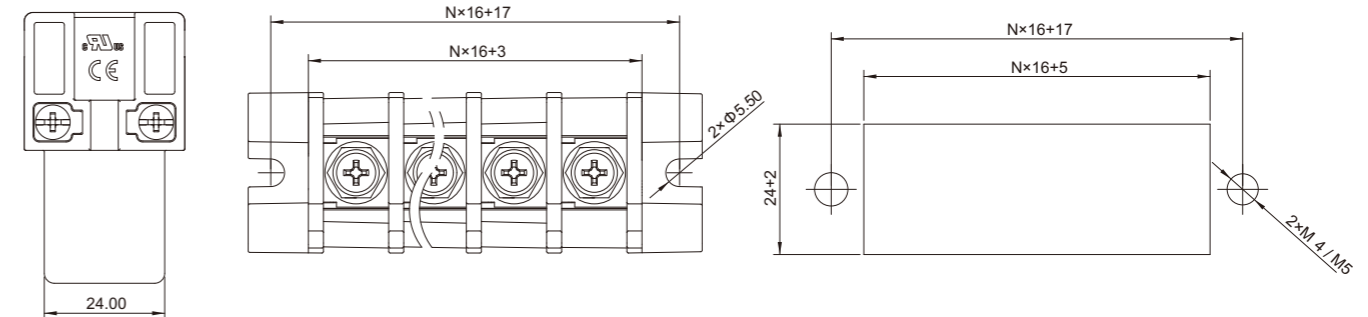


### Technical Data



Electrical Parameters				Size	
Reference Standard	UI1059			Pitch	16.0mm
Class	B	C	D	Poles	02P~10P
Rated Voltage	600V	600V	600V	<b>Material and Plated</b>	
Rated Current	75A	75A	5A	Cover	PC
Wire Range	22~4AWG			Housing	PBT+GF
OT/UT Terminals	22~4AWG			Pin Header	Copper alloy, Ni plated
Voltage Withstanding	AC 2200/Min			Screw	Steel, Ni plated
Insulated Resistance	500MΩ/DC500V			<b>Others</b>	
Mechanical Parameters				Color	Black
Torque Tightening	5.0 N.m			Type Of Installation	Panel
Ambient Temperature	-40~120°C			Connection Method	Screw connection
Stripping Length	12~13mm			Environment Items	Compliant with REACH/RoHS

### Installation Information

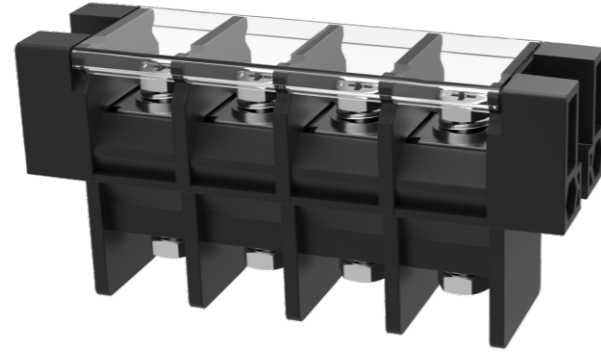


Panel Cutout



## Energy storage battery/Energy storage converter DG100-A

Rated Voltage: 600V  
Rated Current: 100A  
AWG: 10-2AWG

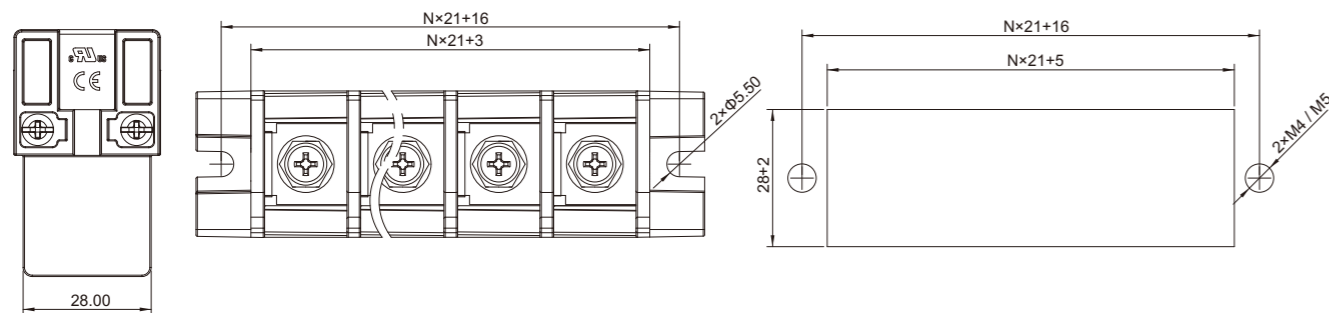


### Technical Data



Electrical Parameters				Size	
Reference Standard	UI1059			Pitch	21.0mm
Class	B	C	D	Poles	02P~10P
Rated Voltage	600V	600V	600V	<b>Material and Plated</b>	
Rated Current	115A	115A	5A	Cover	PC
Wire Range	10~2AWG			Housing	PBT+GF
OT/UT Terminals	10~2AWG			Pin Header	Copper alloy, Ni plated
Voltage Withstanding	AC 2200/Min			Screw	Steel, Ni plated
Insulated Resistance	500MΩ/DC500V			<b>Others</b>	
Mechanical Parameters				Color	Black
Torque Tightening	5.0 N.m			Type Of Installation	Panel
Ambient Temperature	-40~120°C			Connection Method	Screw connection
Stripping Length	12~13mm			Environment Items	Compliant with REACH/RoHS

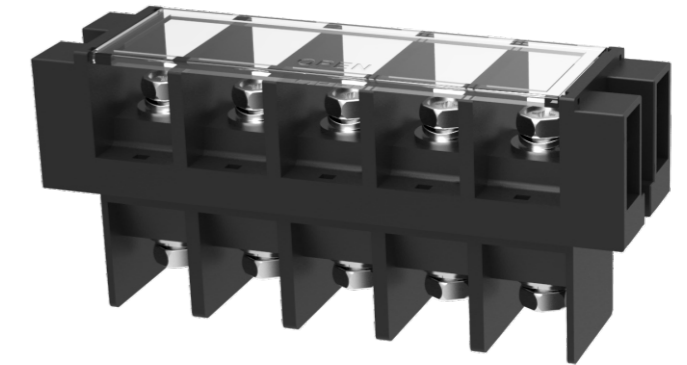
### Installation Information



Panel Cutout

## Energy storage battery/Energy storage converter DG150-A

Rated Voltage: 1000V  
Rated Current: 150A  
AWG: 6-1/0AWG

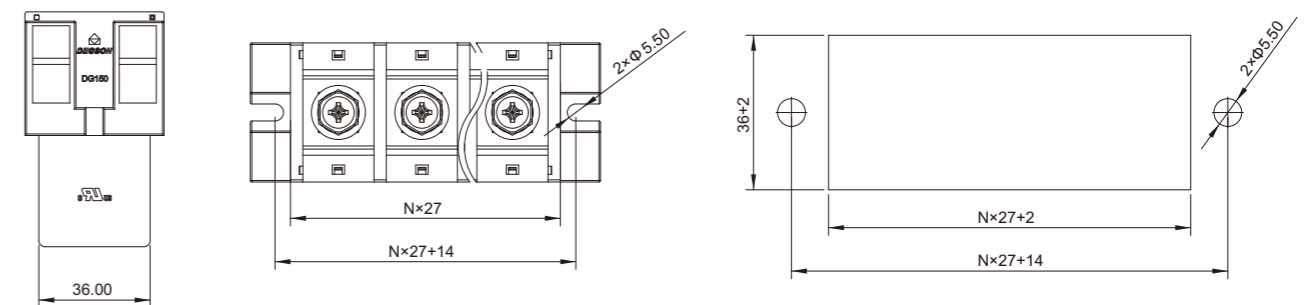


### Technical Data



Electrical Parameters		Size	
Reference Standard	UI1059	Pitch	27.0mm
Rated Voltage	1000V	Poles	02P~08P
Rated Current	150A	<b>Material and Plated</b>	
Wire Range	6~1/0AWG	Cover	PC
OT/UT Terminals	6~1/0AWG	Housing	PA66+GF
Voltage Withstanding	AC 3000/Min	Pin Header	Copper alloy, Ni plated
Insulated Resistance	500MΩ/DC500V	Screw	Steel, Zn plated
Mechanical Parameters		<b>Others</b>	
Torque Tightening	5.6 N.m	Color	Black
Ambient Temperature	-40~120°C	Type Of Installation	Panel
Stripping Length	/	Connection Method	Screw connection
/	/	Environment Items	Compliant with REACH/RoHS

### Installation Information



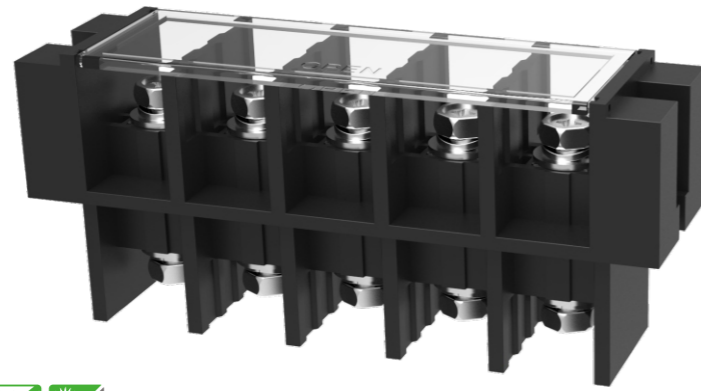
Panel Cutout

## Energy storage battery/Energy storage converter DG200-A

Rated Voltage: 1000V

Rated Current: 200A

AWG: 6-3/0AWG

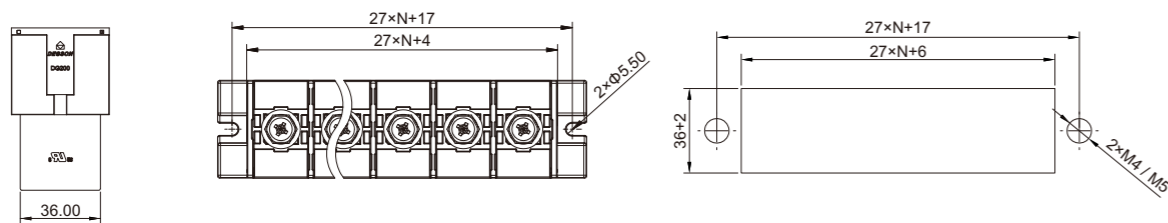


### Technical Data



Electrical Parameters		Size	
Reference Standard	UI1059	Pitch	27.0mm
Rated Voltage	1000V	Poles	02P~08P
Rated Current	200A	Material and Plated	
Wire Range	6~3/0AWG	Cover	PC
OT/UT Terminals	6~3/0AWG	Housing	PA66+GF
Voltage Withstanding	AC 3000/Min	Pin Header	Copper alloy, Ni plated
Insulated Resistance	/	Screw	Steel, Zn plated
Mechanical Parameters		Others	
Torque Tightening	6.0 N.m	Color	Black
Ambient Temperature	-40~120°C	Type Of Installation	Panel
Stripping Length	22mm	Connection Method	Screw connection
/	/	Environment Items	Compliant with REACH/RoHS

### Installation Information



Panel Cutout

## ES-K-350 Panel feed-through connector of energy storage battery system



### Main features

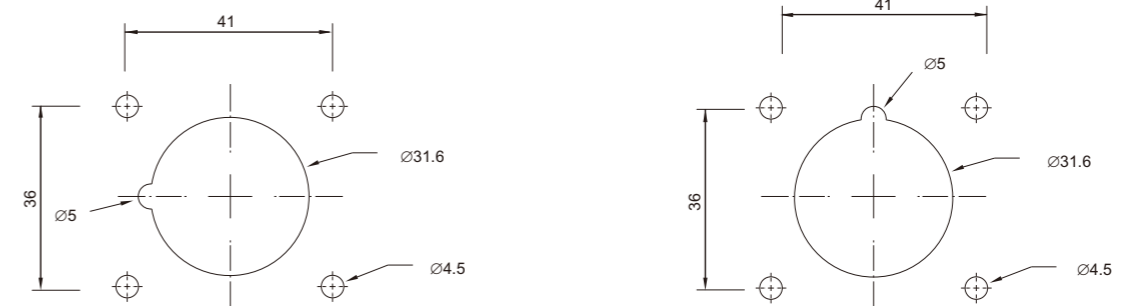
- The rotating cover plate design can effectively avoid the loss or damage of the cover plate.
- Pre-break structure can be flexibly removed according to site connection conditions to enhance safety protection.
- Two-way wiring can connect the energy storage battery in series or in parallel.
- Low temperature rise of products, realizing safe, economical and efficient connection.

### Technical Data



Electrical Parameters		Size	
Rated Voltage	1500V DC	Insulating Material	PC
Rated Current	350A	Pin Header	Copper, Ni plated
Wire Range	3/0AWG (95mm <sup>2</sup> )	Flammability Rating	UL94V-0
Copper Bar Specification	20mm*5mm	Others	
Mechanical Parameters		Color	Orange / Black / Red
Torque Tightening 1	M10(Outside the battery pack):20N·m	Type Of Installation	Panel
Torque Tightening 2	M6(Inside the battery pack):8N·m	Connection Method	Screw connection
Ambient Temperature	-40°C~125°C	Environment Items	Compliant with REACH/RoHS

### Installation Information

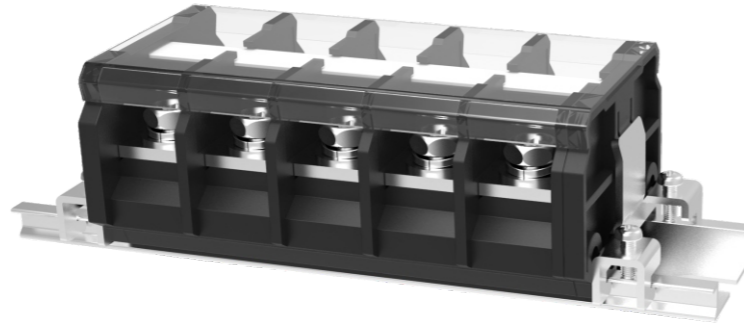


Installation Dimension Of Positive Pole

Installation Dimension Of Negative Pole

## Energy storage converter/ Energy storage tank DGR60

Rated Voltage: 600V  
Rated Current: 80A  
AWG: 20-4 AWG

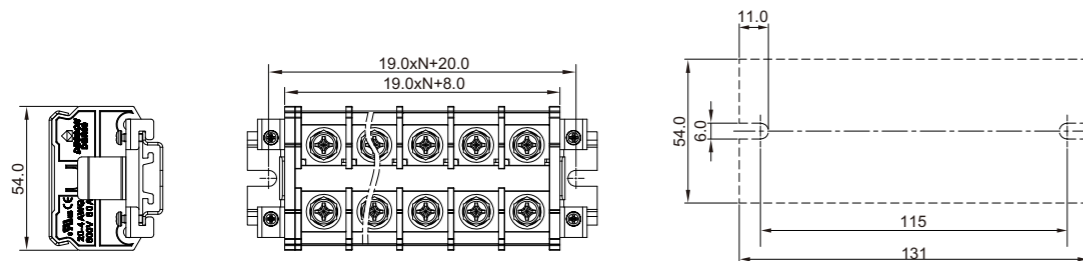


### Technical Data



Electrical Parameters				Size	
Reference Standard	UI1059			Pitch	19.0mm
Class	B	C	D	Poles	01P~16P
Rated Voltage	600V	600V	600V	<b>Material and Plated</b>	
Rated Current	80A	80A	5A	Cover	PC
Wire Range	20~4AWG			Housing	PC, UL V-0
OT/UT Terminals	20~4AWG			Pin Header	Copper alloy, Ni plated
Voltage Withstanding	AC 2200/Min			Screw	Steel, Zn plated
Insulated Resistance	500MΩ/DC500V			<b>Others</b>	
Mechanical Parameters				Color	Black
Torque Tightening	4.4 N.m			Type Of Installation	Panel
Ambient Temperature	-40~125°C			Connection Method	Screw connection
Stripping Length	/			Environment Items	Compliant with REACH/RoHS

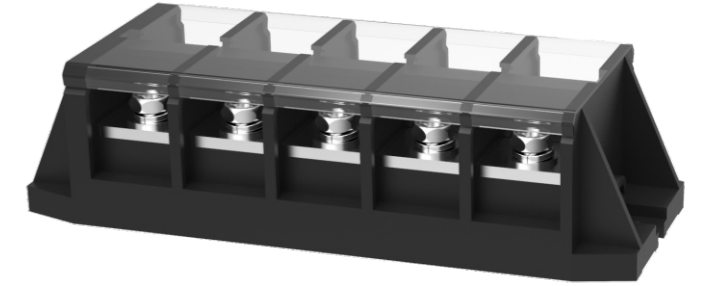
### Installation Information



Panel Cutout

## Energy storage converter/ Energy storage tank DGB100

Rated Voltage: 600V  
Rated Current: 130A  
AWG: 20-1 AWG

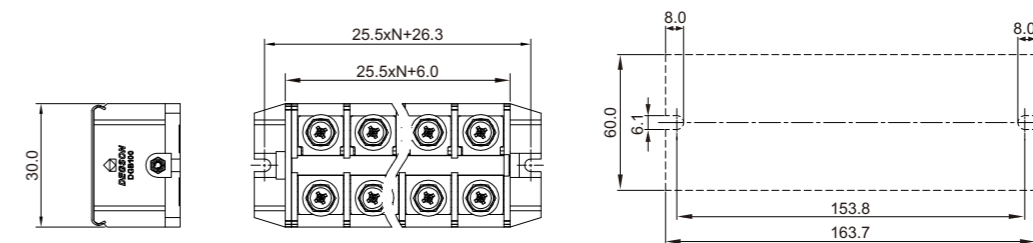


### Technical Data



Electrical Parameters				Size	
Reference Standard	UI1059			Pitch	25.5mm
Class	B	C	D	Poles	02P~11P
Rated Voltage	600V	600V	600V	<b>Material and Plated</b>	
Rated Current	130A	130A	5A	Cover	PC
Wire Range	20~1AWG			Housing	PC, UL V-0
OT/UT Terminals	20~1AWG			Pin Header	Copper alloy, Ni plated
Voltage Withstanding	AC 2200/Min			Screw	Steel, Zn plated
Insulated Resistance	500MΩ/DC500V			<b>Others</b>	
Mechanical Parameters				Color	Black
Torque Tightening	6.78 N.m			Type Of Installation	Panel
Ambient Temperature	-40~125°C			Connection Method	Screw connection
Stripping Length	19~21mm			Environment Items	Compliant with REACH/RoHS

### Installation Information



Panel Cutout



### The Application Case

Under the background of highly developing wind and photovoltaics, new energy storage can transfer the energy, charging when grid load is low and discharging when load is high. It can reduce the load peak, promote the consumption of renewable energy, effectively reduce the wind and light abandonment rate. DEGSON has developed all kinds of the barrier terminals blocks which can complete stable connection for power inputs and outputs of energy storage devices.



### New Energy Energy Storage Converter

As cores of the energy storage, the energy storage converter is capable of bidirectional current conversion and realizes energy control in both charging and discharging directions. It is mainly responsible for controlling the charging and discharging process, in which a large current will be carried.

### New Energy Energy Storage Lithium Battery

Energy storage lithium-ion batteries can be widely used on mobile communication base station power supply and other UPS, home energy storage, portable energy storage, supporting energy storage for large and medium-sized solar power generation, energy storage for power grid, etc.



### ES-K-350 Application-Energy Storage Battery Pack

DEGSON Feed-Through series of Barrier Terminal products are specially designed and developed for the New Energy industry, which can carry up to 200A high current to meet the electrical needs.

They have following advantages:

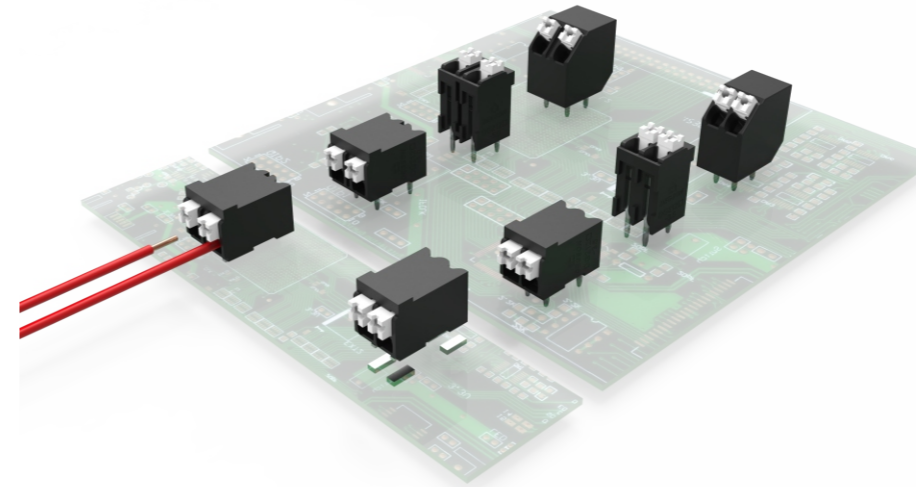
- The screw connection can make the connection firm, power transmission more stable and use safer;
- The Feed-Through structure is suitable for the connection between inside and outside of the enclosure;
- We can provide value-added services such as cover structure, printing and so on.

### Product List

Type	DG40-A	DG75-A	DG100-A	DG150-A	DG200-A	DG250-A	DG300-A	ES-K-350
Rated Voltage (A)	40	75	115	150	200	250	300	350
Rated Current (V)	600	600	600	1000	1000	1000	1000	1500

### Energy storage converter

### Signal Connectors- Compact terminal blocks (DG212 Series)



### Main features

- PUSH-IN spring connection technology for fast wiring, reducing the wiring time and costs
- Compact structure, saving the installation space of equipment
- Suitable for SMT and THR soldering process

### THR Series

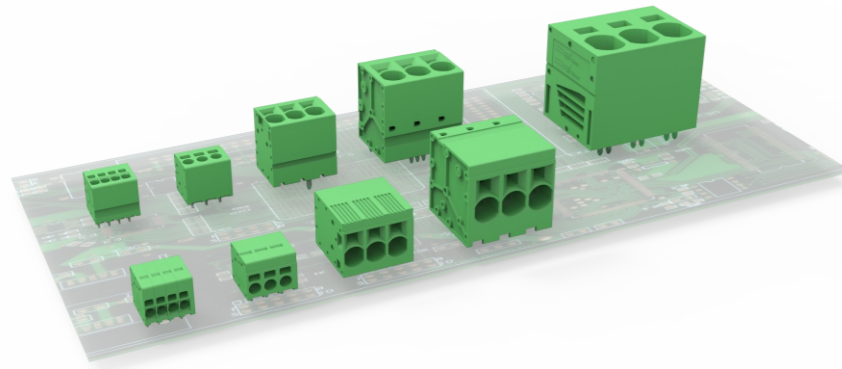
Picture	Product family	Notes	No. of pole	Pitch(mm)	Current(A)	Voltage(V)	Connection direction	Connection technology	Approvals
	DG212V-THR-3.5	THR and Wave soldering	2-24	3.5	17.5 IEC 12 UL (B) 10 UL (D)	200 IEC 300 UL (B) 300 UL (D)	90°	Push-in spring connection	UL,VDE
	DG212R-THR-3.5	THR and Wave soldering	2-24	3.5	17.5 IEC 12 UL (B) 10 UL (D)	200 IEC 300 UL (B) 300 UL (D)	0°	Push-in spring connection	UL,VDE
	DG212S-THR-3.5	THR and Wave soldering	2-24	3.5	17.5 IEC 12 UL (B) 10 UL (D)	160 IEC 300 UL (B) 300 UL (D)	45°	Push-in spring connection	UL
	DG212V-THR-5.0	THR and Wave soldering	2-24	5.0	17.5 IEC 12 UL (B) 10 UL (D)	320 IEC 300 UL (B) 300 UL (D)	90°	Push-in spring connection	UL,VDE
	DG212R-THR-5.0	THR and Wave soldering	2-24	5.0	17.5 IEC 12 UL (B) 10 UL (D)	320 IEC 300 UL (B) 300 UL (D)	0°	Push-in spring connection	UL,VDE
	DG212S-THR-5.0	THR and Wave soldering	2-24	5.0	17.5 IEC 12 UL (B) 10 UL (D)	320 IEC 300 UL (B) 300 UL (D)	45°	Push-in spring connection	UL,VDE

### SMT Series

Picture	Product family	Notes	No. of pole	Pitch(mm)	Current(A)	Voltage(V)	Connection direction	Connection technology	Approvals
	DG212R-THR-3.5(1050R)	SMT soldering	2-24	3.5	17.5 IEC 12 UL (B)	160 IEC 300 UL (B)	0°	Push-in spring connection	UL,VDE
	DG212R-THR-5.0(1050R)	SMT soldering	2-24	5.0	17.5 IEC 12 UL (B) 10 UL (D)	320 IEC 300 UL (B) 300 UL (D)	0°	Push-in spring connection	UL,VDE

## Energy storage converter

### Power Connectors- Push-in terminal blocks (DG271 Series)



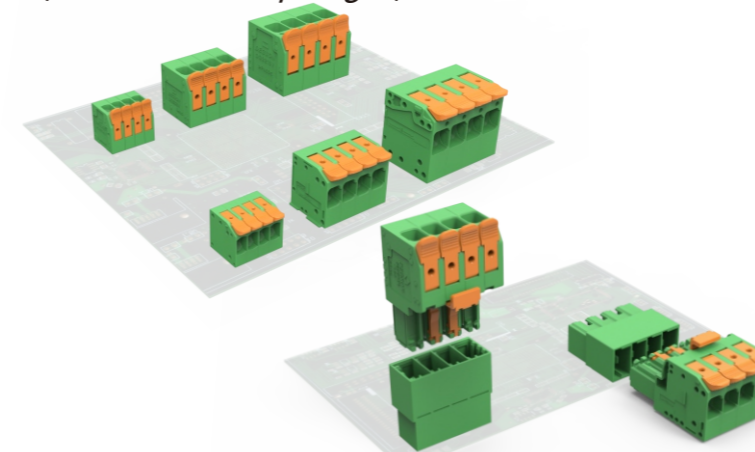
#### Main features

- PUSH-IN spring connection technology, for high performance compact equipment
- Full range of pitch products, support two wiring angles, wide application
- Cross section up to 35mm<sup>2</sup> (2 AWG), rated current up to 125A

Picture	Product family	Notes	No. of pole	Pitch(mm)	Current(A)	Voltage(V)	Connection direction	Connection technology	Approvals
	DG271V-3.5	Linear double pinning	1-24	3.5	17.5 IEC 20 UL (B) 10 UL (B)	200 IEC 300 UL (B)	90°	Push-in spring connection	UL
	DG271R-3.5	Linear double pinning	1-24	3.5	17.5 IEC 20 UL (B) 10 UL (B)	200 IEC 300 UL (B)	0°	Push-in spring connection	UL
	DG271V-5.0	Linear double pinning	1-24	5.0	24 IEC 20 UL (B) 10 UL (D)	400 IEC 300 UL (B) 300 UL (D)	90°	Push-in spring connection	UL,VDE
	DG271R-5.0	Linear double pinning	1-24	5.0	24 IEC 20 UL (B) 10 UL (D)	400 IEC 300 UL (B) 300 UL (D)	0°	Push-in spring connection	UL,VDE
	DG271V-7.5	Zigzag pinning W	1-24	7.5	41 IEC 40 UL (B) 40 UL (C) 10 UL (D)	1000 IEC 300 UL (B) 150 UL (C) 300 UL (D)	90°	Push-in spring connection	UL,VDE
	DG271R-7.5	Zigzag pinning W	1-24	7.5	41 IEC 40 UL (B) 40 UL (C) 10 UL (D)	1000 IEC 300 UL (B) 150 UL (C) 300 UL (D)	0°	Push-in spring connection	UL,VDE
	DG271V-10.0	Zigzag pinning W	2-24	10	76 IEC 70 UL (B, C) 5 UL (D)	1000 IEC 600 UL (B, C) 600 UL (D)	90°	Push-in spring connection	UL,VDE
	DG271R-10.0	Zigzag pinning W	2-24	10	76 IEC 70 UL (B, C) 5 UL (D)	1000 IEC 600 UL (B, C) 600 UL (D)	0°	Push-in spring connection	UL,VDE
	DG271V-15.0	Linear double pinning	1-6	15.0	125 IEC 101 UL (B, C)	1000 IEC 600 UL (B, C)	90°	Push-in spring connection	/

## Energy storage converter

### Power Connectors- Tool less connectors ( Dual-Lever Spring® )



#### Main features

- Comfortable and labor-saving *Dual-Lever Spring*® technology, fast wiring and tool free
- Pluggable and PCB type, support two wiring angles, wide application
- Independent test holes available, quick and convenient testing

#### Pluggable Terminal Blocks

Picture	Product family	Notes	No. of pole	Pitch(mm)	Current(A)	Voltage(V)	Connection direction	Connection technology	Approvals
	DG2204R-5.0	with handling lever	1-12	5	32 IEC 20 UL (B) 10 UL (D)	400 IEC 300 UL (B) 300 UL (D)	0°	Push-in spring connection	UL,VDE
	DG2204V-5.0	with handling lever	1-12	5	32 IEC 20 UL (B) 10 UL (D)	400 IEC 300 UL (B) 300 UL (D)	90°	Push-in spring connection	UL,VDE
	DG2206R-7.5	with handling lever, W type PIN HEADER	1-12	7.5	41 IEC 41 UL (B) 41 UL (C) 5 UL (D)	1000 IEC 600 UL (B) 600 UL (C) 600 UL (D)	0°	Push-in spring connection	UL,VDE
	DG2206V-7.5	with handling lever, W type PIN HEADER	1-12	7.5	41 IEC 41 UL (B) 41 UL (C) 5 UL (D)	1000 IEC 600 UL (B) 600 UL (C) 600 UL (D)	90°	Push-in spring connection	UL,VDE
	DG2216R-10.0	with handling lever, W type PIN HEADER	1-12	10	76 IEC 66 UL (B) 66 UL (C) 5 UL (D)	1000 IEC 600 UL (B) 600 UL (C) 600 UL (D)	0°	Push-in spring connection	UL,VDE
	DG2216V-10.0	with handling lever, W type PIN HEADER	1-12	10	76 IEC 66 UL (B) 66 UL (C) 5 UL (D)	1000 IEC 600 UL (B) 600 UL (C) 600 UL (D)	90°	Push-in spring connection	UL,VDE
	DG2216R-15.0	with handling lever, W type PIN HEADER	1-12	15	76 IEC 66 UL (B) 66 UL (C) 5 UL (D)	1000 IEC 600 UL (B) 600 UL (C) 600 UL (D)	0°	Push-in spring connection	/

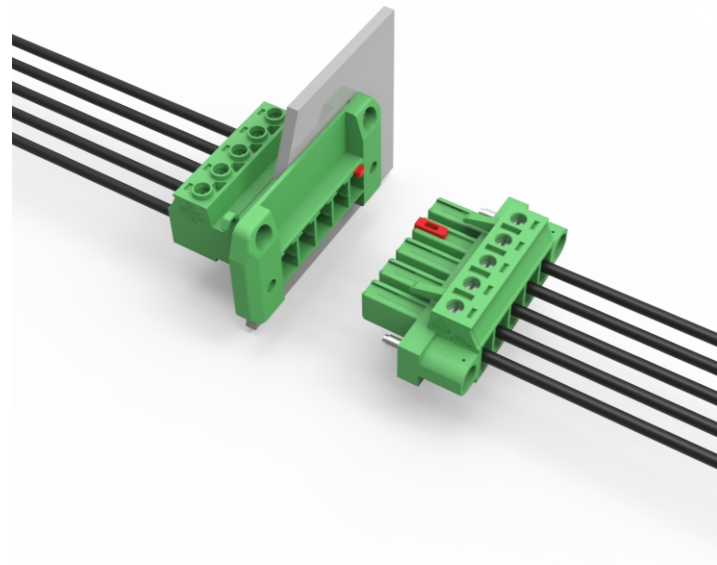
#### PCB terminal blocks

Picture	Product family	Notes	No. of pole	Pitch(mm)	Current(A)	Voltage(V)	Connection direction	Connection technology	Approvals
	5EDGKDL-7.62	plug with wrench	2-12	7.62	41 IEC 42 UL (B) 5 UL (D)	1000 IEC 600 UL (B) 600 UL (D)	/	Push-in spring connection	UL,VDE
	5EDGRL-7.62	Socket	2-12	7.62	41 IEC 42 UL (B) 5 UL (D)	630 IEC 300 UL (B) 600 UL (D)	0°	/	UL,VDE
	5EDGVL-7.62	Socket	2-12	7.62	41 IEC 42 UL (B) 5 UL (D)	630 IEC 300 UL (B) 600 UL (D)	90°	/	UL,VDE



## Energy storage converter

### High power connection-Screw pluggable connector



#### Main features

- Screw connection mode, suitable for a variety of occasions
- Support two kinds of inlet Angle, widely used
- Support a variety of connection modes: line to line, line to plate, flange and fixed without flange

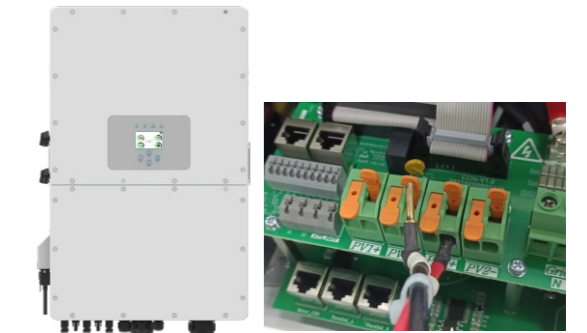
Picture	Product family	Notes	No. of pole	Pitch(mm)	Current(A)	Voltage(V)	Connection direction	Connection technology	Approvals
	5EDGKRP-7.62	Through-wall connect	2-12	7.62	20 IEC 35 UL (B) 35 UL (C) 5 UL (D)	630 IEC 300 UL (B) 300 UL (C) 600 UL (D)	/	Screw connection with clamp body	/
	5EDGK-7.62	Without flange	2-12	7.62	32 IEC 30 UL (B) 30 UL (C) 10 UL (D)	400 IEC 300 UL (B) 300 UL (C) 300 UL (D)	/	Screw connection with clamp body	UL, VDE
	5EDGM-7.62	Screw flange							
	5EDGKH-7.62	Without flange	2-12	7.62	41 IEC 41 UL (B) 41 UL (C) 5 UL (D)	1000 IEC 600 UL (B) 600 UL (C) 600 UL (D)	/	Screw connection with clamp body	UL
	5EDGKM-7.62	Screw flange							
	5EDGK-10.16	Without flange	2-8	10.16	57 IEC 52 UL (B) 52 UL (C) 10 UL (D)	600 IEC 600 UL (B) 600 UL (C) 300 UL (D)	/	Screw connection with clamp body	UL, VDE
	5EDGM-10.16	Screw flange							
	5EDGVC-7.62	Without flange	2-12	7.62	32 IEC 30 UL (B) 30 UL (C) 10 UL (D)	400 IEC 300 UL (B) 300 UL (C) 300 UL (D)	90°	/	UL, VDE
	5EDGVM-7.62	Screw flange							
	5EDGVHC-7.62	Without flange	2-12	7.62	41 IEC 41 UL (B) 41 UL (C) 15 UL (D)	630 IEC 300 UL (B) 150 UL (C) 150 UL (D)	90°	/	UL
	5EDGVHM-7.62	Screw flange							
	5EDGVC-10.16	Without flange	2-8	10.16	57 IEC 52 UL (B) 52 UL (C) 5 UL (D)	600 IEC 300 UL (B) 300 UL (C) 600 UL (D)	90°	/	UL, VDE
	5EDGVM-10.16	Screw flange							
	5EDGRC-7.62	Without flange	2-12	7.62	32 IEC 30 UL (B) 30 UL (C) 10 UL (D)	400 IEC 300 UL (B) 300 UL (C) 300 UL (D)	0°	/	UL, VDE
	5EDGRM-7.62	Screw flange							
	5EDGRHC-7.62	Without flange	2-12	7.62	41 IEC 41 UL (B) 41 UL (C) 5 UL (D)	630 IEC 300 UL (B) 300 UL (C) 600 UL (D)	0°	/	UL
	5EDGRHM-7.62	Screw flange							
	5EDGRC-10.16	Without flange	2-8	10.16	57 IEC 52 UL (B) 52 UL (C) 5 UL (D)	600 IEC 300 UL (B) 300 UL (C) 600 UL (D)	0°	/	UL, VDE
	5EDGRM-10.16	Screw flange							

#### Main features

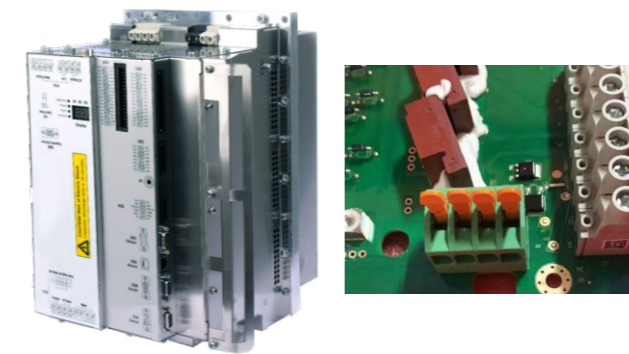
Under the background of carbon peaking and carbon neutrality, the proportion of renewable energy continues to increase. The most representative is wind and solar energy. Due to the natural instability of solar and wind energy, the supporting energy storage system is required to achieve stability grid-connected operation. As a professional manufacturer of connectors, DEGSON focus on technological innovation, interpret excellence with professionalism, and has developed a new electrical connection solution for the new energy industry, including the compact PCB terminal blocks of DG212 series, tool-free PCB terminal blocks of Dual-Lever Spring series, as well as PCB terminal blocks DG271 series and pluggable terminal blocks 5EDG series for power connection. We can provide safe, convenient and reliable connection in the field of signal, data and power transmission!



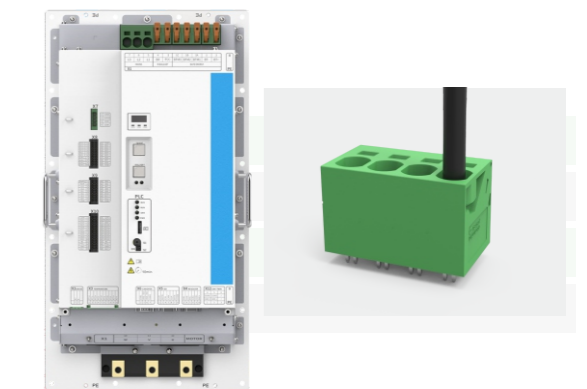
DG212 series-wind power converter



DG2206 series-energy storage inverter



DG2206 series-wind power pitch driver



DG271 series-wind power pitch driver



5EDG series-energy storage system