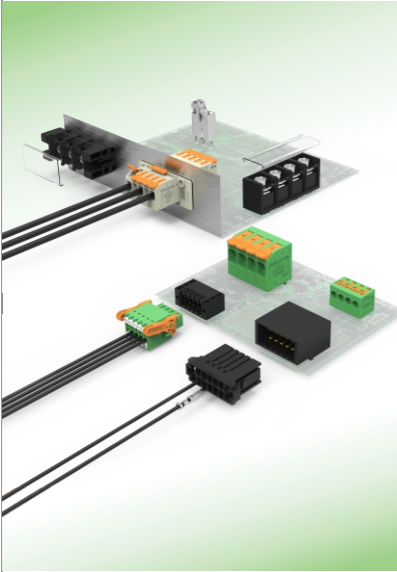


DT Series Push Button

DEGSON Device Connection Technology



DEGSON TECHNOLOGY CO.,LTD.
ISO9001 ISO14001 ISO45001 ISO80079-34 ISO/TS22163 IATF16949

DEGSON Circular Connectors



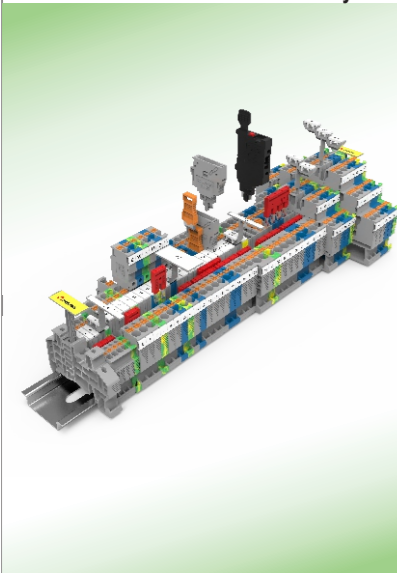
DEGSON TECHNOLOGY CO.,LTD.
ISO9001 ISO14001 ISO45001 ISO80079-34 ISO/TS22163 IATF16949

DEGSON Heavy Duty Connector



DEGSON TECHNOLOGY CO.,LTD.
ISO9001 ISO14001 ISO45001 ISO80079-34 ISO/TS22163 IATF16949

DEGSON DIN Rail Terminal Blocks And Accessories System



DEGSON TECHNOLOGY CO.,LTD.
ISO9001 ISO14001 ISO45001 ISO80079-34 ISO/TS22163 IATF16949

DEGSON High Voltage Connection System



DEGSON TECHNOLOGY CO.,LTD.
IATF16949

DEGSON Interface Electronics



DEGSON TECHNOLOGY CO.,LTD.
ISO9001 ISO14001 ISO45001 ISO80079-34 ISO/TS22163 IATF16949



DEGSON
 DEGSON TECHNOLOGY CO.,LTD.

Add: No.1585.Xiaolin Road.Cixi.Ningbo China
 P.C.: 315321
 www.degson.com
 The catalog is for reference purpose only and details are base on company's specifications

Tel: +86-574-63510770
 E-mail: sale@degson.com



PB 24-E01

BRIEF INTRODUCTION

01 Founded in 1990, DEGSON is well known as a comprehensive industrial solution provider, with UL-CTDP, VDE-TDAP and CNAS approved laboratory. DEGSON has passed ISO9001, ISO14001, ISO45001, ISO80079-34, ISO/TS22163 and IATF16949 Management System, and is a national high-tech enterprise.

02 DEGSON is engaged in supplying highly reliable and durable products to serve global customers. The company has a market-leading capability of mould processing, automatic manufacturing and advanced testing. DEGSON has the complete engineering ability to support global customers with the professional customization solution and value-added service.

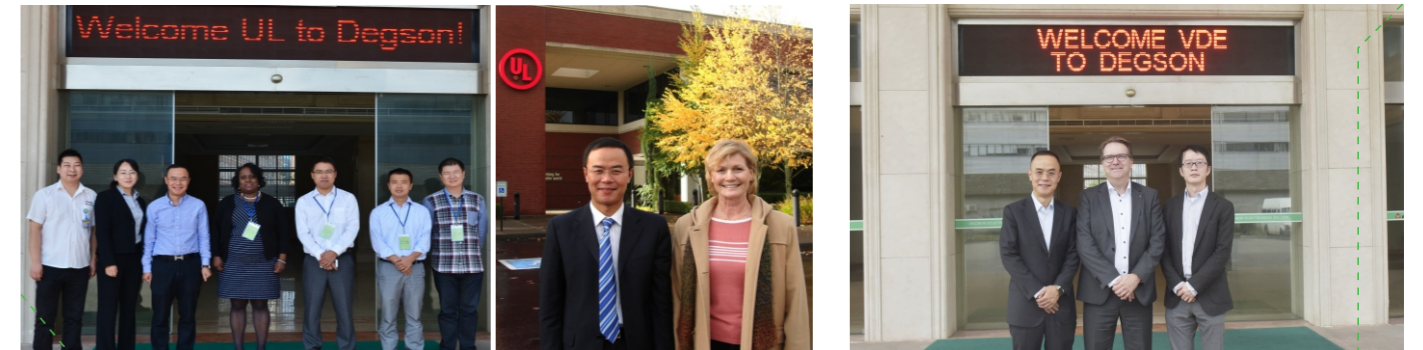
03 DEGSON products are widely recognized in China, the USA, Germany, the UK, Italy, Spain, Turkey, Japan, South Korea, Singapore, etc. totally hundred countries and regions. DEGSON supply high quality products and provide professional services globally in the industry sectors likely industrial automation, instrument, electric power, railway, marine and offshore, new energy, E-bike industrial elevator, lighting, security, machinery, etc. The company won the recognition from partners among Fortune 500 and industry leading enterprises.

04 Based on the core values of "Clients First, Win-win Strategy, Responsibility Integrity, Excellence Pursuit", DEGSON continuously integrates professional technical resources, R&D innovation, product manufacturing and technology application capabilities. Relying on global sales network, DEGSON aims to supply series of multiple varieties of high-quality products and services. We provide global customers with professional and quick connected application solutions, help customers continue to create value. DEGSON is making contributions to creating a smart and interconnected world.



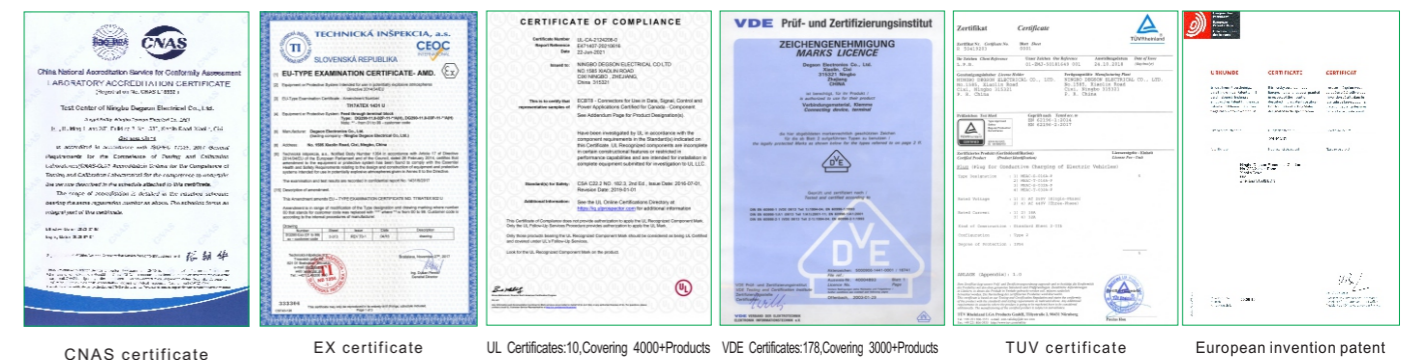
UL-CTDP (USA), VDE-TDAP (Germany) and CNAS labs

Strategic cooperation with UL and VDE



1 | 2
3

- ① The general manager of UL global energy & technology division visit our company
- ② Sven Ohrke, President of VDE global services, comes to DEGSON to discuss strategic cooperation
- ③ VDE Laboratory Accreditation: In July 2010, VDE Issued the "VDE Authorized Laboratory" Certificate to DEGSON's laboratory.
UL laboratory accreditation: UL formally issued "UL WTDP" certification to DEGSON in March 2013. On April, 2016, UL-CTDP. On December, 2016, VDE-TDAP. On January, 2017, Pass IRIS system audit.



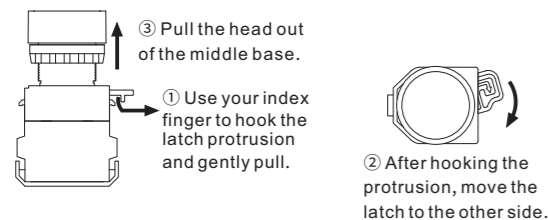
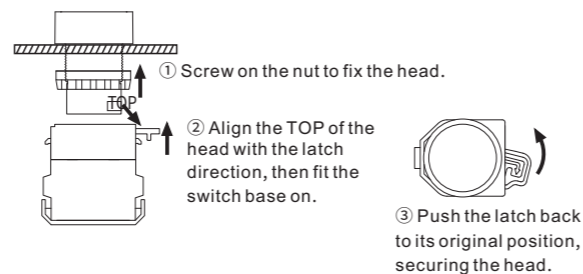
DT22 Button Switch Introduction

Overview

The DT series button switch is a new product introduced by DEGSON after years of research in customer field applications and industrial control. It is primarily used to control the connection and disconnection of electrical circuits in machinery, thereby achieving the purpose of controlling the operation of electrical equipment such as motors. This series of products uses advanced fastening-free self-locking connections, ensuring reliable contacts and efficient assembly and disassembly. The products have enhanced resistance to shock and vibration, making them suitable for use in demanding environmental conditions. The design and development of these products meet the requirements of standards such as IEC 60947-5-1 and GB/T 14048.5, and they can be widely applied in industries such as mechanical manufacturing, rail transportation, elevators, power, and wind power.

Features

- Installation aperture: $\Phi 22\text{mm}$
- Button material: DT22A series are plastic buttons: DT22M series are metal buttons
- Self-locking connection without fasteners, reliable contact, efficient disassembly and assembly
- The product has strong anti-impact and anti-vibration performance, and is suitable for use in all kinds of harsh environment
- The products meet the standards such as IEC60947-5-1GB/T14048.5
- The highest protection level can reach IP65

Disassembly and Installation Method
1. Button Disassembly Steps:

2. Button Installation Steps:

Main Technical Parameters

Working environment temperature	-25°C~+55°C (no freezing)
Working environment humidity	45-85%RH
Contact resistance	$\leq 50\text{m}\Omega$
Insulation resistance	$\geq 100\text{M}\Omega$
Power frequency withstand voltage	1890VAC / 50Hz / 60s
Vibration resistance	The amplitude is about 1.0mm / 50Hz
Impact resistance	> 10g

Mechanical life	Momentary button	3,000,000 times
	Selector, Key-lock switch	500,000 times
	Emergency push button	300,000 times
Electrical life		200,000 times
Wiring		Screw connection, wire diameter: 2x1.5mm Maximum wiring plug 6.3x 0.8mm

Lamp Bead Specification

Types of lamp beads	Bi-directional LED lamp beads		
Rated voltage	AC/DC 6V	AC/DC 12V	AC/DC 24V
	AC/DC 36V	AC/DC 48V	AC/DC 110V
	AC/DC 220V	AC/DC 380V	/
	AC 110V	AC 220V	AC 380V
Lamp color	Red Green Yellow Blue White		
Service life	$\geq 40000\text{h}$		

Switch Rating

Rated insulation voltage U_i		660V					
Conventional heating current I_{th}		10A					
Rated operating voltage U_e		24V	48V	110V	220V	380V	
Rated working current I_e	AC 50/60Hz	Resistive load	10A	/	10A	10A	/
		Inductive load	10A	/	6A	3A	2A
	DC	Resistive load	8A	4A	2.2A	1.1A	/
		Inductive load	6A	2A	1.2A	0.6A	/
Contact material		Silver alloy					
Minimum adaptive load: 3V AC/DC5mA (Reference value) (available depending on the environment and load type)							

Switch Element Contact Explanation

The numbers on the black label of the contact indicate the terminals:

- The first digit "1" represents the first pair of contacts on the first switch element, while "2" represents the second pair of contacts on the first switch element.
- The second digit "1,2" represents the two terminals of the normally closed contacts, while "3, 4" represents the two terminals of the normally open contacts.

Contact Codes	11	20	02	10	01
Contact Names	One open and one closed (1NO1NC)	Two open (2NO)	Two closed (2NC)	One open (1NO)	One closed (1NC)
State Diagram					

Naming Rules Explanation
DT22A- □ ■ / △ ▲

Corresponding Characters	Symbol name	Specific instructions
DT22A	Product series	DT22A: Φ22 plastic button / DT22M: Φ22 metal button
□	Actuator type	FR: Momentary Flat / FL: Maintained Flat / FRD: Momentary Flat With Lamp
■	Contact form	10: 1NO / 01: 1NC / 11: 1NO1NC
△	Color	RD: Red / GN: Green / YE: Yellow / WH: White / BU: Blue / BL: Black
▲	Illuminated module voltage	AC/DC: 6, 12, 24, 36, 48, 110, 220V / AC: 110, 220, 380V / No letter indicates no light

Example of Complete Model: DT22A-FR11/RD red self-leveling button (1NO1NC).

Example of Complete Model: DT22A-FRD11/RDAC/DC24V Red self-leveling button with light (1NO1NC AC/DC24V)

DT22A- □ / △ ▲ ◇

Corresponding Characters	Symbol name	Specific instructions
DT22A	Product series	DT22A: Φ22 series indicator light / DT16A: Φ16 series indicator light
□	Product type	PL: indicator / BZ: buzzer / FBZ: flash buzzer
△	Color	RD: red / GN: green / YE: yellow / WH: White / BU: blue / BL: black (for buzzer only)
▲	Voltage level	AC/DC:6,12,24,36,48,110,220V/AC:110,220,380V
◇	Product specification	S: short / L: long

Naming Rules Explanation

Product series	Actuator type
FR: (Flat reset)	S2RD: (selector 2 switch reset indicator)
FL: (Flat lock)	S2LD: (selector 2 switch lock indicator)
FRH: (Flat reset high)	S3R: (selector 3 switch reset)
FLH: (Flat lock high)	S3L: (selector 3 switch lock)
FRD: (Flat reset indicator)	S31: Left self-locking right self-repeating three-position selector switch
FLD: (Flat lock indicator)	S32: Left self-locking right self-repeating three-position selector switch
FRHD: (Flat reset high indicator)	S3RD: (selector 3 switch reset indicator)
FLHD: (Flat lock high indicator)	S3LD: (selector 3 switch lock indicator)
MR: (Mushroom reset)	S31D: Left self-locking right self-repeating three-position trap selector switch with light
ML: (Mushroom lock)	S32D: Left self-locking right self-repeating three-position trap selector switch with light
MRD: (Mushroom reset indicator)	K2R: (Key-lock selector 2 switch reset)
MLD: (Mushroom lock indicator)	K2L: (Key-lock selector 2 switch lock)
EP: (Emergency)	K3R: (Key-lock selector 3 switch reset)
S2R: (selector 2 switch reset)	K3L: (Key-lock selector 3 switch lock)
S2L: (selector 2 switch lock)	K3S1: Left self-locking right self-repeating three-position button switch
	K3S2: Left self-locking right self-repeating three-position button switch

Contact form	Color	Illuminated module voltage
10: 1NO	RD: Red	Voltage level AC/DC:
01: 1NC	GN: Green	6,12,24,36,48,110,220V
11: 1NO1NC	YE: Yellow	AC:110,220,380V
20: 2NO	WH: White	
02: 2NC	BU: Blue	
22: 2NO2NC	BL: Black	
30: 3NO		
03: 3NC		
33: 3NO3NC		

DT22A Button Selection

Products	Operation type	Model	Color	With light voltage	Product dimension diagram	
	Momentary Flat	DT22A-FR ■ / △	<ul style="list-style-type: none"> ● Red - RD ● Green - GN ● Yellow - YE ○ White - WH ● Blue - BU ● Black - BL 			
	Maintained Flat	DT22A-FL ■ / △				
	Momentary Flat High	DT22A-FRH ■ / △				
	Maintained Flat High	DT22A-FLH ■ / △				
	Momentary Mushroom	DT22A-MR ■ / △				
	Maintained Mushroom	DT22A-ML ■ / △				
	Two-position Momentary Selector Switch	DT22A-S2R ■ / △				
	Two-position Maintained Selector Switch	DT22A-S2L ■ / △				
	Three-position Momentary Selector Switch	DT22A-S3R ■ / △				
	Three-position Maintained Selector Switch	DT22A-S3L ■ / △				

Explanation

- ■ before the slash: Fill in the number of normally open and normally closed contacts.
- △ after the slash: Fill in the color.
- ▲ after the slash: Fill in the voltage for the lighted version.
- Please specify if you need customized service.

DT22A Button Selection

Products	Operation type	Model	Color	With light voltage	Product dimension diagram
	Two-position Momentary Key Switch	DT22A-K2R ■ / △	<ul style="list-style-type: none"> ● Red - RD ● Green - GN ● Yellow - YE ○ White - WH ● Blue - BU ● Black - BL 	AC/DC6V AC/DC12V AC/DC24V AC/DC36V AC/DC48V AC/DC110V AC/DC220V AC110V AC220V AC380V	
	Two-position Maintained Key Switch	DT22A-K2L ■ / △			
	Three-position Momentary Key Switch	DT22A-K3R ■ / △			
	Three-position Maintained Key Switch	DT22A-K3L ■ / △			
	Emergency Push Button	DT22A-EP ■ / △			
	Emergency Push With Key	DT22A-KEP ■ / △			
	Momentary Flat With Lamp	DT22A-FRD ■ / △▲			
	Maintained Flat With Lamp	DT22A-FLD ■ / △▲			
	Momentary Mushroom With Lamp	DT22A-MRD ■ / △▲			
	Maintained Mushroom With Lamp	DT22A-MLD ■ / △▲			

Explanation

- ■ before the slash: Fill in the number of normally open and normally closed contacts.
- △ after the slash: Fill in the color.
- ▲ after the slash: Fill in the voltage for the lighted version.
- Please specify if you need customized service.

DT22A Button Selection

Products	Operation type	Model	Color	With light voltage	Product dimension diagram
	Two-position Momentary selector switch With Lamp	DT22A-S2RD ■ / △▲	<ul style="list-style-type: none"> ● Red - RD ● Green - GN ● Yellow - YE ○ White - WH ● Blue - BU ● Black - BL 	AC/DC6V AC/DC12V AC/DC24V AC/DC36V AC/DC48V AC/DC110V AC/DC220V AC110V AC220V AC380V	
	Two-position Maintained selector switch With Lamp	DT22A-S2LD ■ / △▲			
	Three-position Momentary selector switch With Lamp	DT22A-S2RD ■ / △▲			
	Three-position Maintained selector switch With Lamp	DT22A-S2LD ■ / △▲			
	Pilot Lamp	DT22A-PL ■ / △▲			
	Buzzer	DT22A-BZ ■ / △▲			
	Flashing Buzzer	DT22A-FBZ ■ / △▲			

Explanation

- ■ before the slash: Fill in the number of normally open and normally closed contacts.
- △ after the slash: Fill in the color.
- ▲ after the slash: Fill in the voltage for the lighted version.
- Please specify if you need customized service.

DT22M Button Selection

Products	Operation type	Model	Color	With light voltage	Product dimension diagram	
	Momentary Flat	DT22M-FR ■ / △	<ul style="list-style-type: none"> ● Red - RD ● Green - GN ● Yellow - YE ○ White - WH ● Blue - BU ● Black - BL 			
	Maintained Flat	DT22M-FL ■ / △				
	Momentary Flat High	DT22M-FRH ■ / △				
	Maintained Flat High	DT22M-FLH ■ / △				
	Momentary Mushroom	DT22M-MR ■ / △				
	Maintained Mushroom	DT22M-ML ■ / △				
	Two-position Momentary Selector Switch	DT22M-S2R ■ / △				
	Two-position Maintained Selector Switch	DT22M-S2L ■ / △				
	Three-position Momentary Selector Switch	DT22M-S3R ■ / △				
	Three-position Maintained Selector Switch	DT22M-S3L ■ / △				
	Two-position Momentary Key Switch	DT22M-K2R ■ / △				
	Two-position Maintained Key Switch	DT22M-K2L ■ / △				
	Three-position Momentary Key Switch	DT22M-K3R ■ / △				
	Three-position Maintained Key Switch	DT22M-K3L ■ / △				

Explanation

- ■ before the slash: Fill in the number of normally open and normally closed contacts.
- △ after the slash: Fill in the color.
- ▲ after the slash: Fill in the voltage for the lighted version.
- Please specify if you need customized service.

DT22M Button Selection

Products	Operation type	Model	Color	With light voltage	Product dimension diagram		
	Emergency Push Button	DT22M-EP ■ / △					
	Momentary Flat With Lamp	DT22M-FRD ■ / △▲	<ul style="list-style-type: none"> ● Red - RD ● Green - GN ● Yellow - YE ○ White - WH ● Blue - BU ● Black - BL 	<ul style="list-style-type: none"> AC/DC6V AC/DC12V AC/DC24V AC/DC36V AC/DC48V AC/DC110V AC/DC220V AC110V AC220V AC380V 			
	Maintained Flat With Lamp	DT22M-FLD ■ / △▲					
	Momentary Flat High With Lamp	DT22M-FRHD ■ / △▲					
	Maintained Flat High With Lamp	DT22M-FLHD ■ / △▲					
	Momentary Mushroom With Lamp	DT22M-MRD ■ / △▲					
	Maintained Mushroom With Lamp	DT22M-MLD ■ / △▲					
	Two-position Momentary Selector Switch With Lamp	DT22M-S2RD ■ / △▲					
	Two-position Maintained Selector Switch With Lamp	DT22M-S2LD ■ / △▲					
	Three-position Momentary Selector Switch With Lamp	DT22M-S2RD ■ / △▲					
	Three-position Maintained Selector Switch With Lamp	DT22M-S2LD ■ / △▲					

Explanation

- ■ before the slash: Fill in the number of normally open and normally closed contacts.
- △ after the slash: Fill in the color.
- ▲ after the slash: Fill in the voltage for the lighted version.
- Please specify if you need customized service.

DT16 Button Switch Introduction

Overview

The DT16 series button switches are the best choice for customer requirements for panel miniaturization and centralized control. The product front frame comes in three specifications: circular ($\phi 18\text{mm}$), square ($18 \times 18\text{mm}$), and rectangular ($18 \times 24\text{mm}$). It includes signal Pilot Lamp, buttons, illuminated buttons, selector switches, key switches, emergency stop buttons, buzzers, etc. The standard installation hole is $\phi 16\text{mm}$, and some products can be equipped with reducing rings to install them in panels with a diameter of $\phi 22\text{mm}$. The product design and development comply with standards such as IEC 60947-5-1 and GB/T 14048.5, and can be widely used in industries such as mechanical manufacturing, rail transportation, power, wind power, etc.

Features

- Installation aperture: $\phi 16\text{mm}$
- Touch material: gold plating, strong oxidation resistance, ensuring reliability of low current.
- The product has stable performance, low contact resistance, high vibration and shock resistance, etc.
- The product complies with standards such as IEC60947-5-1 and GB/T14048.5.
- Protection level: IP40 and IP65 are optional, and IP67 can be achieved by adding a sealed cover to some products.

Main Technical Parameters

Working environment temperature	-20°C~+55°C
Working environment humidity	40-85%RH
Contact resistance	$\leq 50\text{m}\Omega$
Insulation resistance	$\geq 100\text{M}\Omega$
Rated insulation voltage	250V, AC/DC
Vibration resistance	The amplitude is about 1.2mm / 50Hz
Impact resistance	$\geq 10\text{g}$

Mechanical life	Momentary button	1,000,000 times
	Maintained button	500,000 times
	Key-lock button	200,000 times
Electrical life		$\geq 50,000$ times
Contact material		Gold Plating
IP Class		IP40(Dust Tight) IP65:(Waterproof)

Lamp Bead Specification

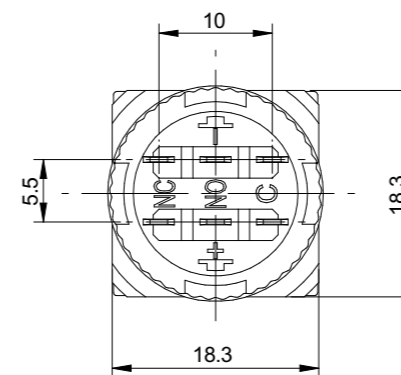
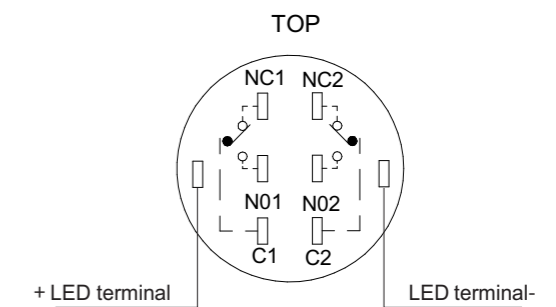
Types of lamp beads	Bi-directional LED lamp beads (Standard Configuration)		
Rated voltage	AC/DC 6V	AC/DC 12V	AC/DC 24V
	AC/DC 110V	AC/DC 220V	
Lamp color	Red	Green	Yellow Blue White
Service life	Approximately 30,000h		

Switch Rating

Heating current Ith	5A The current must not exceed the maximum rated value allowed by the temperature.		
Rated voltage	24V	125V(110V)	250V(220V)
DC	1A	0.2A	0.1A
AC	P.F=1	/	5A 3A
	P.F=0.7	/	3A 2A

Installation Hole Product Dimension Diagram

	Category	A	A
	Circular	$\geq 18\text{mm}$	$\geq 18\text{mm}$
	Square	$\geq 18\text{mm}$	$\geq 18\text{mm}$
	Rectangle	$\geq 18\text{mm}$	$\geq 24\text{mm}$
	Mushroom shape	$\geq 24\text{mm}$	$\geq 24\text{mm}$
	Large square	$\geq 24\text{mm}$	$\geq 24\text{mm}$
	Large rectangle	$\geq 18\text{mm}$	$\geq 24\text{mm}$

Bottom Preview

Terminal Arrangement


Naming Rules Explanation
DT16A- □ ■ / ◇ △ ▲

Corresponding Characters	Symbol name	Specific instructions
DT16A	Product series	DT16A: Φ16 button, Pilot Lamp
□	Actuator type	FR: Momentary Flat / FL: Maintained Flat / FRD: Momentary Flat With Lamp
■	Contact form	11: One normally open, one normally closed / 22: Two normally open, two normally closed
◇	Twist head shape	Blank: Circular / F: Square / J: Rectangular
△	Color	RD: Red / GN: Green / YE: Yellow / WH: White / BU: Blue / BL: Black
▲	Illuminated module voltage	AC/DC: 6, 12, 24, 36, 48, 110, 220V / AC: 110, 220, 380V / No letter indicates no light

Complete model example: DT16A-FR11/FRD Square, red Momentary flat button (one normally open and one normally closed)
 Complete model example: DT16A-FRD11/RDAC/DC24V Red with Lamp, self-resetting flat button (one normally open and one normally closed, AC/DC24V)

Naming Rules Explanation

Product series	Actuator type	
DT16A	FR: (Flat reset) S2RD: (selector 2 switch reset indicator)	
	FL: (Flat lock) S2LD: (selector 2 switch lock indicator)	
	FRH: (Flat reset high) S3R: (selector 3 switch reset)	
	FLH: (Flat lock high) S3L: (selector 3 switch lock)	
	FRD: (Flat reset indicator) S31: Left self-locking right self-repeating three-position selector switch	
	FLD: (Flat lock indicator) S32: Left self-locking right self-repeating three-position selector switch	
	FRHD: (Flat reset high indicator) S3RD: (selector 3 switch reset indicator)	
	FLHD: (Flat lock high indicator) S3LD: (selector 3 switch lock indicator)	
	MR: (Mushroom reset) S31D: Left self-locking right self-repeating three-position trap selector switch with light	
	ML: (Mushroom lock) S32D: Left self-locking right self-repeating three-position trap selector switch with light	
	MRD: (Mushroom reset indicator) K2R: (Key-lock selector 2 switch reset)	
	MLD: (Mushroom lock indicator) K2L: (Key-lock selector 2 switch lock)	
	EP: (Emergency) K3R: (Key-lock selector 3 switch reset)	
	S2R: (selector 2 switch reset) K3L: (Key-lock selector 3 switch lock)	
	S2L: (selector 2 switch lock) K3S1: Left self-locking right self-repeating three-position button switch	
		K3S2: Left self-locking right self-repeating three-position button switch
		PL: Pilot Lamp
		BZ: Buzzer

Contact form	Color	Illuminated module voltage
11: One normally open, one normally closed	RD: Red	Voltage level AC/DC:
	GN: Green	6, 12, 24, 36, 48, 110, 220V
22: Two normally open, two normally closed	YE: Yellow	AC: 110, 220, 380V
	WH: White	
	BU: Blue	
	BL: Black	

DT16A Switch Selection

Products	Operation type	Model	Color	With light voltage	Product dimension diagram
	Round Momentary Flat	DT16A-FR ■ / △	<ul style="list-style-type: none"> ● Red - RD ● Green - GN ● Yellow - YE ○ White - WH ● Blue - BU ● Black - BL 		
	Round Maintained Flat	DT16A-FL ■ / △			
	Square Momentary Flat	DT16A-FR ■ / F △			
	Square Maintained Flat	DT16A-FL ■ / F △			
	Rectangular Momentary Flat	DT16A-FR ■ / J △			
	Rectangular Maintained Flat	DT16A-FL ■ / J △			
	Momentary Mushroom	DT16A-MR ■ / △			
	Maintained Mushroom	DT16A-ML ■ / △			

Explanation

- ■ before the slash: Fill in the number of normally open and normally closed contacts.
- △ after the slash: Fill in the color.
- ▲ after the slash: Fill in the voltage for the lighted version.
- Please specify if you need customized service.

DT16A Switch Selection

Products	Operation type	Model	Color	With light voltage	Product dimension diagram
	Round Two-position Maintained Selector Switch	DT16A-S2L ■ / △	<ul style="list-style-type: none"> ● Red - RD ● Green - GN ● Yellow - YE ○ White - WH ● Blue - BU ● Black - BL 		
	Square Two-position Maintained Selector Switch	DT16A-S2L ■ / F △			
	Rectangular Two-position Maintained Selector Switch	DT16A-S2L ■ / J △			
	Round Three-position Maintained Selector Switch	DT16A-S3L ■ / △			
	Square Three-position Maintained Selector Switch	DT16A-S3L ■ / F △			
	Rectangular Three-position Maintained Selector Switch	DT16A-S3L ■ / J △			
	Round Two-position Maintained Key Switch	DT16A-Y2L ■ / △			
	Square Two-position Maintained Key Switch	DT16A-Y2L ■ / F △			
	Rectangular Two-position Maintained Key Switch	DT16A-Y2L ■ / J △			
	Round Three-position Maintained Key Switch	DT16A-Y3L ■ / △			
	Square Three-position Maintained Key Switch	DT16A-Y3L ■ / F △			
	Rectangular Three-position Maintained Key Switch	DT16A-Y3L ■ / J △			
	Emergency Push Button	DT16A-EP ■ / △			

Explanation

- ■ before the slash: Fill in the number of normally open and normally closed contacts.
- △ after the slash: Fill in the color.
- ▲ after the slash: Fill in the voltage for the lighted version.
- Please specify if you need customized service.

DT16A Switch Selection

Products	Operation type	Model	Color	With light voltage	Product dimension diagram		
	Round Momentary Flat With Lamp	DT16A-FRD ■ / △▲	<ul style="list-style-type: none"> ● Red - RD ● Green - GN ● Yellow - YE ○ White - WH ● Blue - BU ● Black - BL 	<ul style="list-style-type: none"> AC/DC6V AC/DC12V AC/DC24V AC/DC36V AC/DC48V AC/DC110V AC/DC220V AC110V AC220V AC380V 			
	Round Maintained Flat With Lamp	DT16A-FLD ■ / △▲					
	Square Momentary Flat With Lamp	DT16A-FRD ■ / F△▲					
	Square Maintained Flat With Lamp	DT16A-FLD ■ / F△▲					
	Rectangular Momentary Flat With Lamp	DT16A-FRD ■ / J△▲					
	Rectangular Maintained Flat With Lamp	DT16A-FLD ■ / J△▲					
	Momentary Mushroom With Lamp	DT16A-MRD ■ / △▲					
	Maintained Mushroom With Lamp	DT16A-MLD ■ / △▲					

Explanation

- ■ before the slash: Fill in the number of normally open and normally closed contacts.
- △ after the slash: Fill in the color.
- ▲ after the slash: Fill in the voltage for the lighted version.
- Please specify if you need customized service.

DT16A Switch Selection

Products	Operation type	Model	Color	With light voltage	Product dimension diagram
	Round Button Switch With Lamp, Two-position Maintained	DT16A-S2LD ■ / △▲	<ul style="list-style-type: none"> ● Red - RD ● Green - GN ● Yellow - YE ○ White - WH ● Blue - BU ● Black - BL 	<ul style="list-style-type: none"> AC/DC6V AC/DC12V AC/DC24V AC/DC36V AC/DC48V AC/DC110V AC/DC220V AC110V AC220V AC380V 	
	Square Button Switch With Lamp, Two-position Maintained	DT16A-S2LD ■ / F△▲			
	Rectangular Button Switch With Lamp, Two-position Maintained	DT16A-S2LD ■ / J△▲			
	Round Button Switch With Lamp, Three-position Maintained	DT16A-S3LD ■ / △▲			
	Pilot Lamp	DT16A-S3LD ■ / F△▲			
		DT16A-S3LD ■ / J△▲			
	Buzzer	DT16A-BZ ■ / △▲			

Explanation

- ■ before the slash: Fill in the number of normally open and normally closed contacts.
- △ after the slash: Fill in the color.
- ▲ after the slash: Fill in the voltage for the lighted version.
- Please specify if you need customized service.

Button Switch Accessories

Products	Model	Scope of use	Products	Model	Scope of use
	DTF22-1	φ22 flat button protective cover		DTF22-5	φ22 emergency stop ring
	DTF22-2/1	φ22 protective cover (5032)		DTF22-8	φ22 protective ring
	DTF22-2/2	φ22 protective cover (5537)		DTF22-9/1	φ22 emergency stop protective cover
	DTF22-3	φ22 waterproof cover		DTF22-10	Socket wrench
	DTF22-4	φ22 panel plug		DTF22-9/2	φ22 emergency stop protective cover (with text)
	DTF22-6	φ22 nameplate frame①		DTF16-1	φ16 protective cover
	DTF22-7	φ22 nameplate frame②			

ENVIRONMENTAL POLICY

DEGSON realizes system regulation without lead in 2005 and has been granted ISO14001 in 2006. All the products conform to the European ROHS requirement.

DEGSON realizes the importance to protect environment resources, selfconsciously meets environment protection requirements for products and regards it as the responsibility.

Thus, we have made the following environment strategic policy:

1. To meet customers' demands and obey the national and local laws and regulations as well as other environmental protection requirements.
2. Take environmental protection as one criterion for continuing development of our company. Insist on fully development of quality, benefit and environmental protection.
3. Fully considering the factors which will influence the environment in the processes of product development, manufacturing, material usage and waste processing, establish management system of waste in order to improve the environment of our company.
4. To increase the employees' consciousness of environmental protection through training and to realize the continuing improvement of environment management system and the ability of environmental protection.
5. To make full use of resources and to decrease consumption of material in order to save energy.
6. To promise to our partners and society that we will make contribution to environment protection. There is only one Earth for our humanity.
7. To strive for making conservation-oriented and environment-friendly products through continuous innovation and developing new materials and technology.

